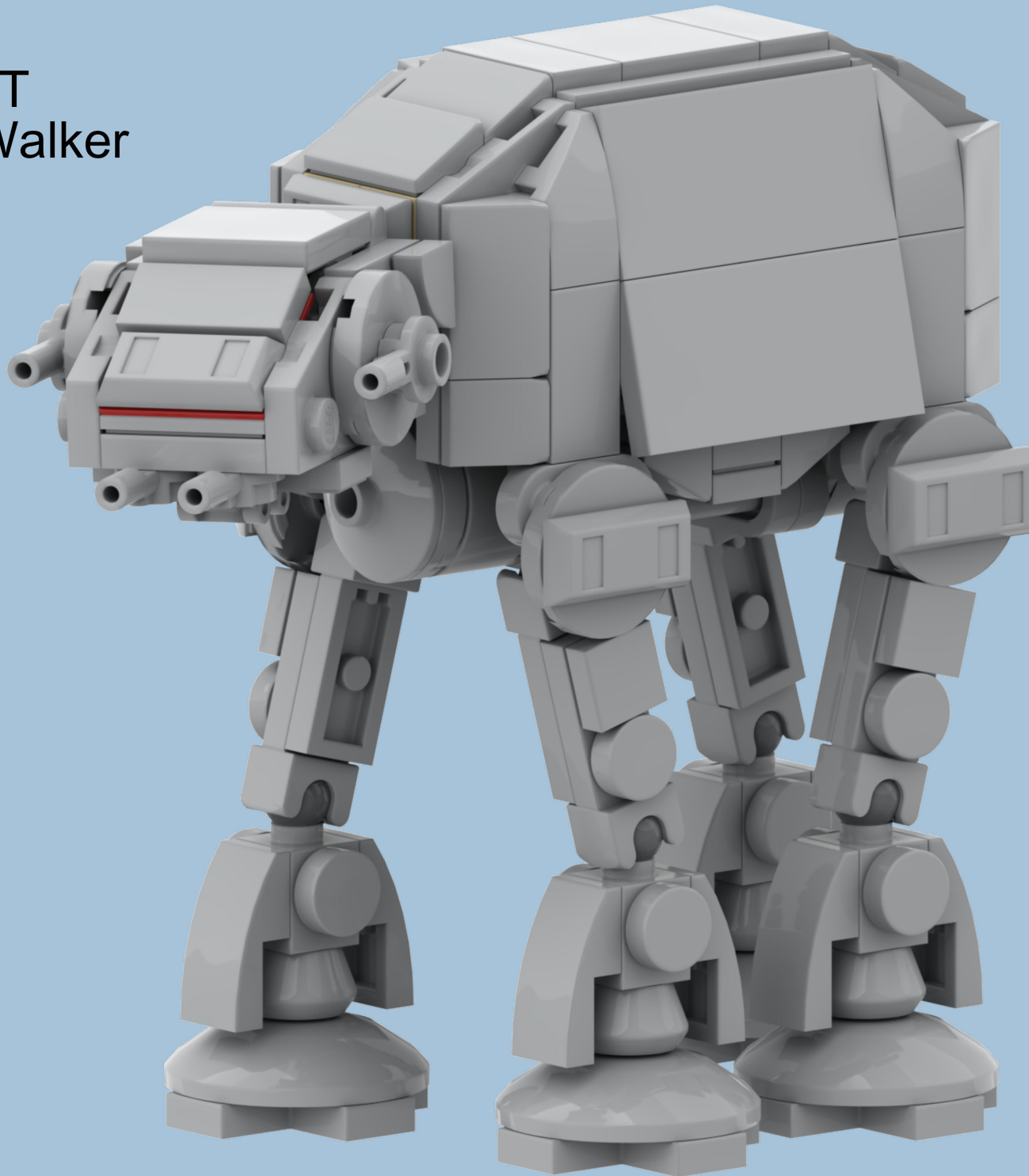
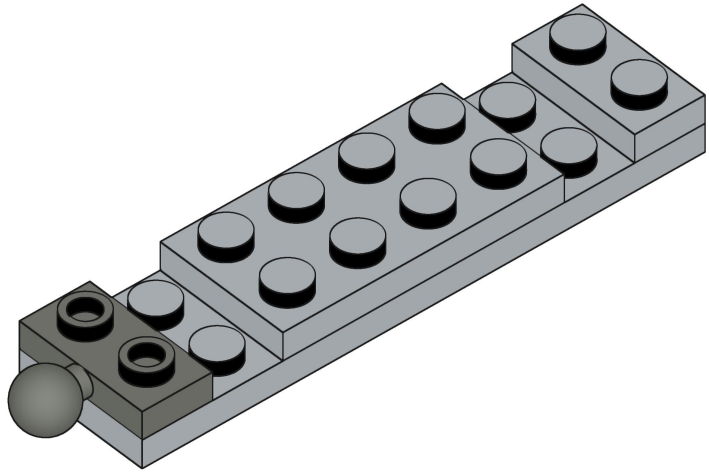
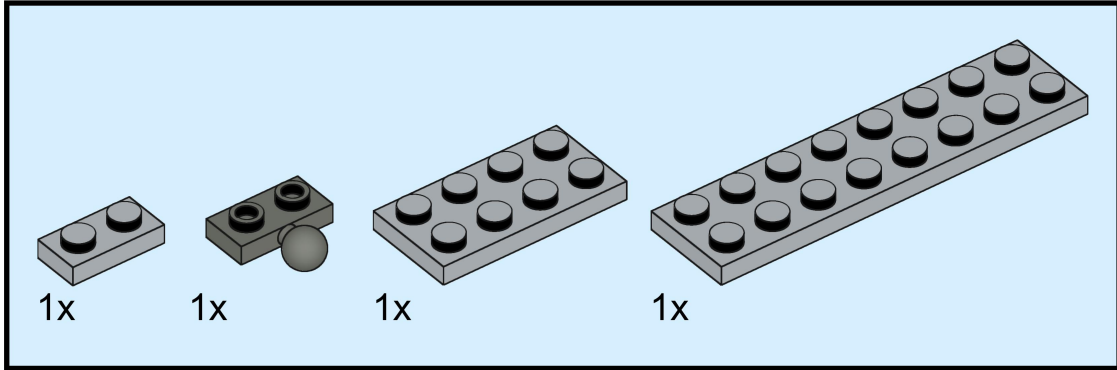


Mini AT-AT
Imperial Walker

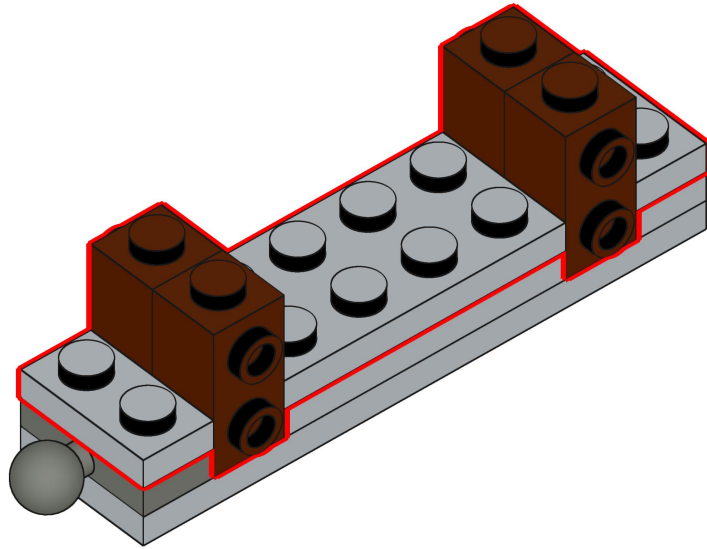
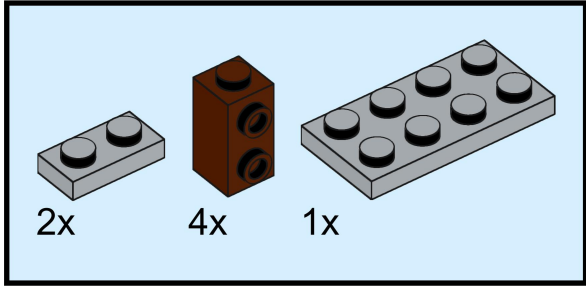


Model Design by:
Stephen Kowalski
"Faume"
<https://skowal.ski/>

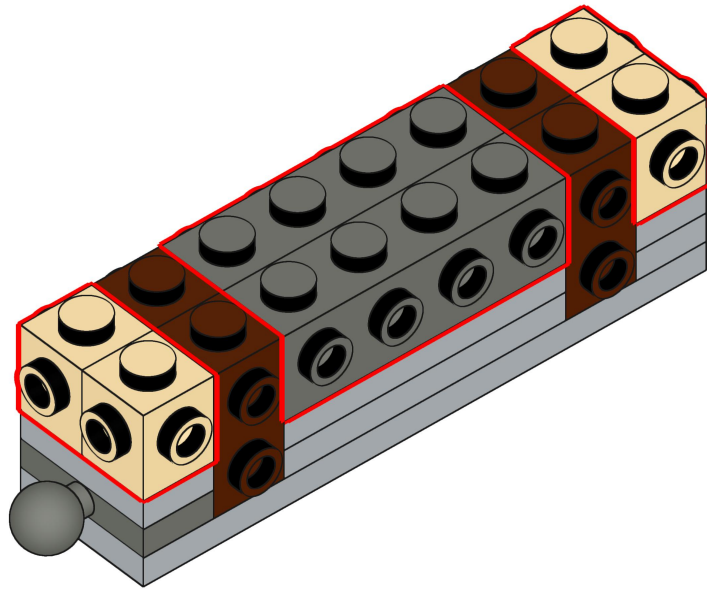
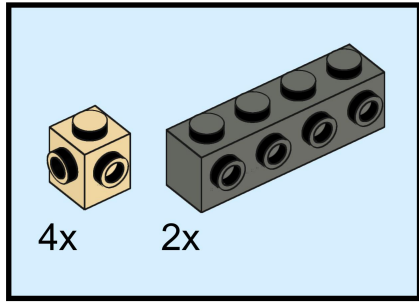
1



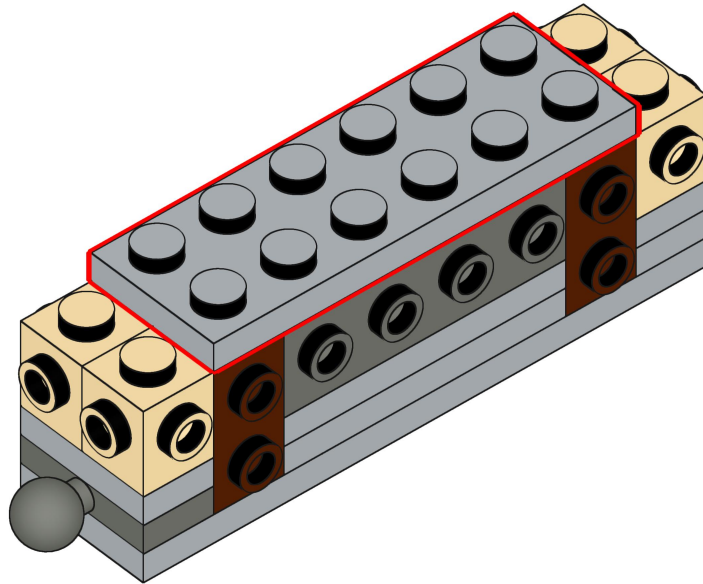
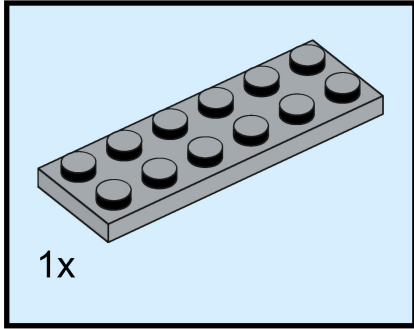
2



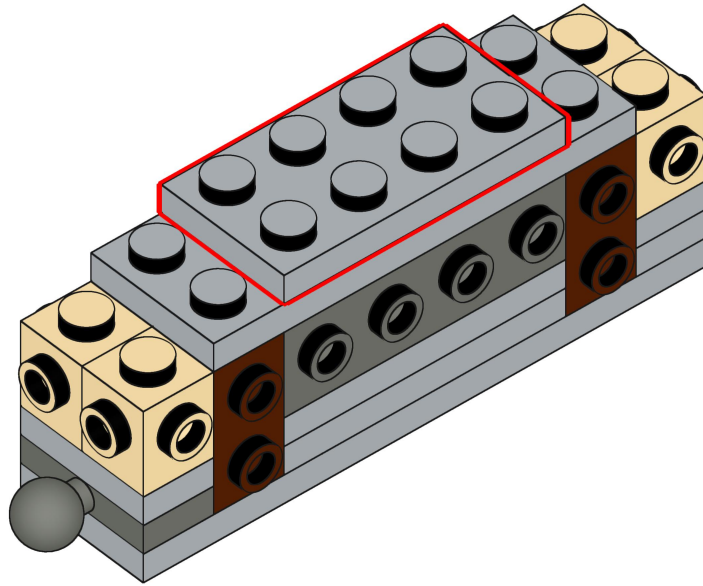
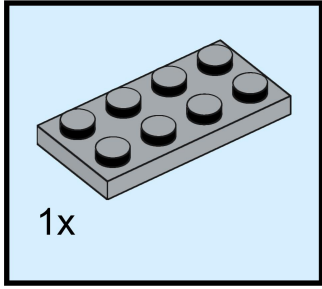
3



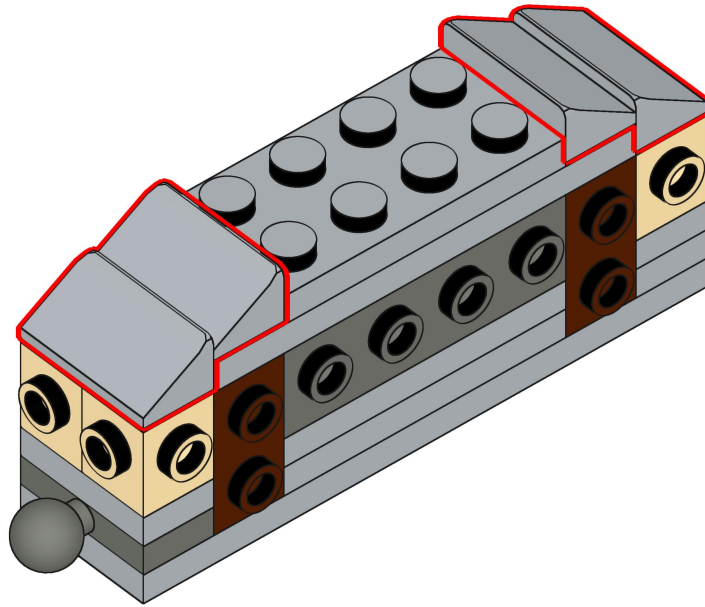
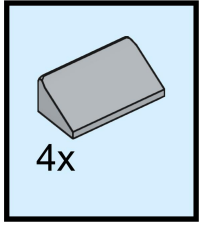
4



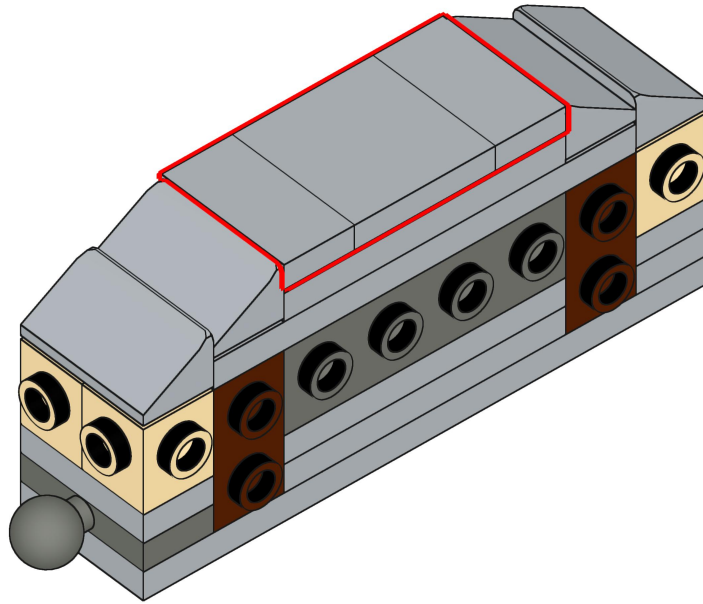
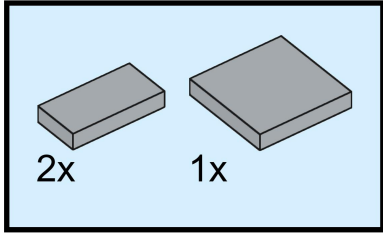
5



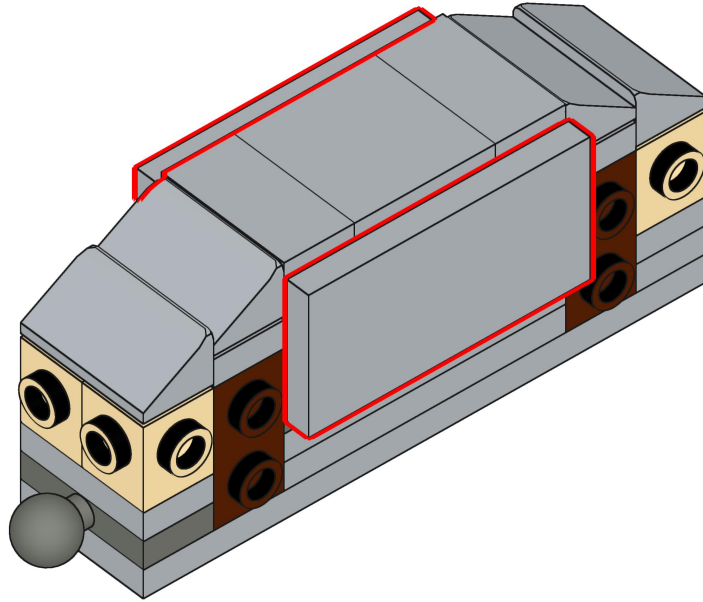
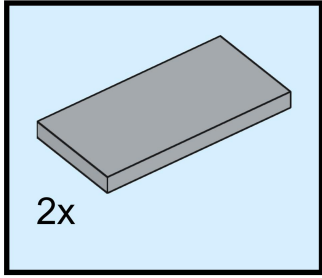
6



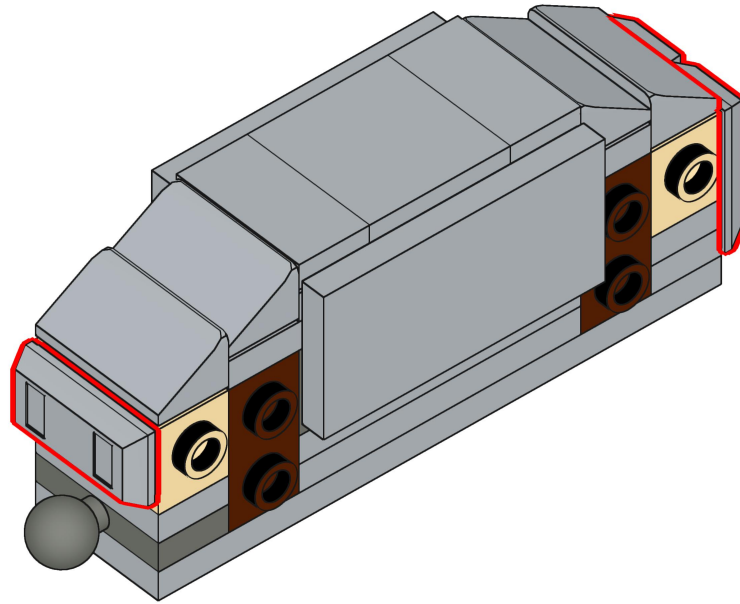
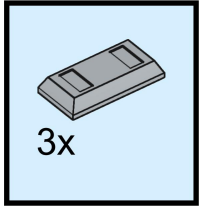
7



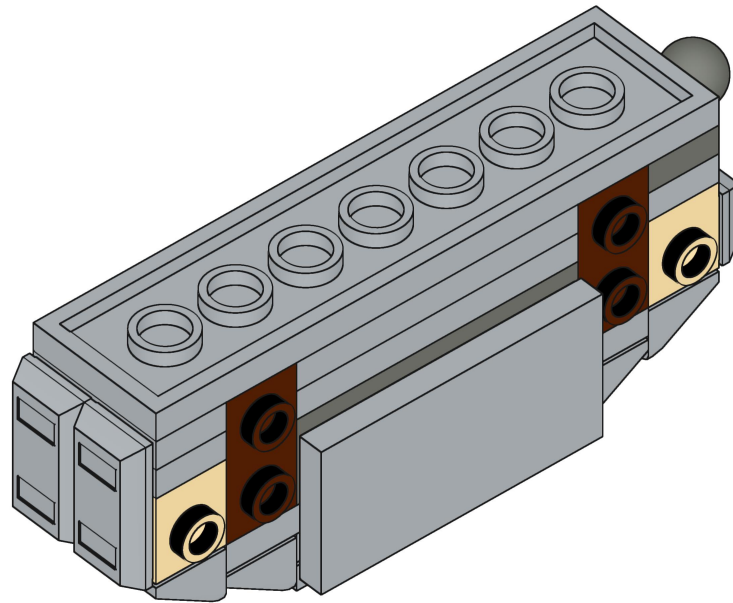
8



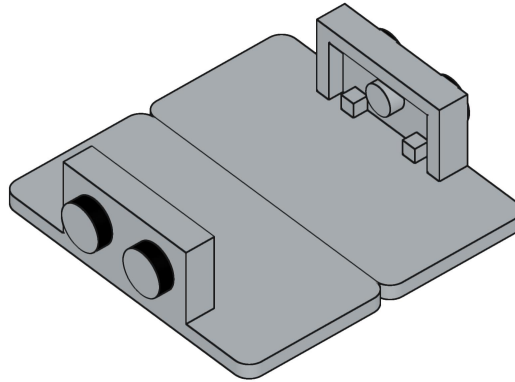
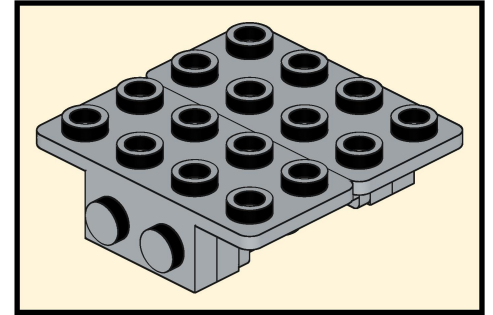
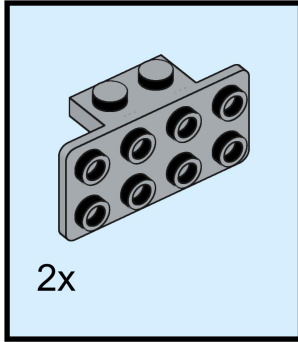
9



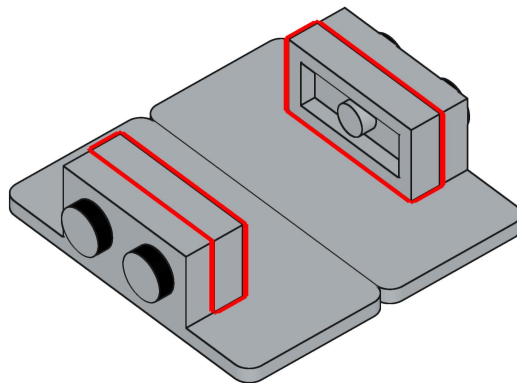
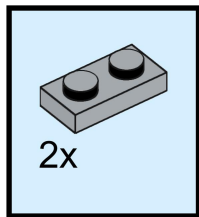
10



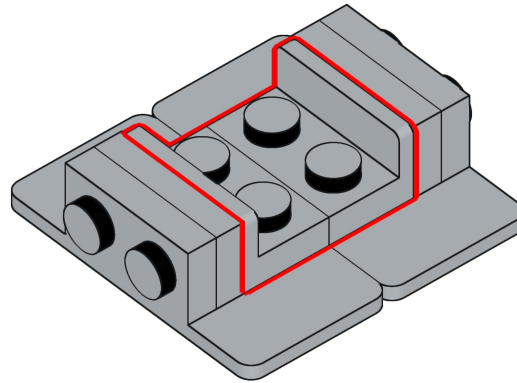
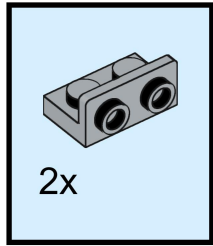
11



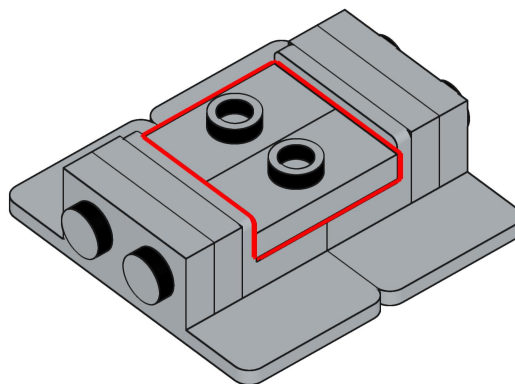
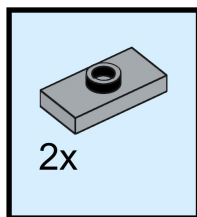
12



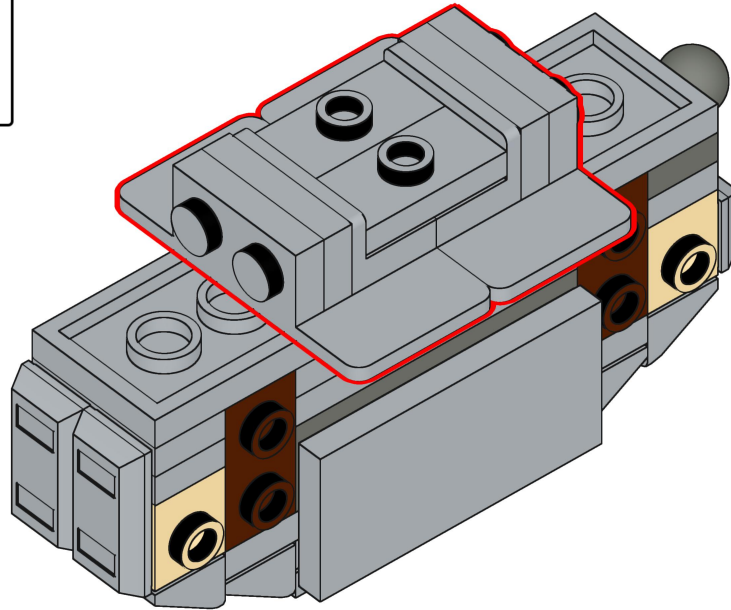
13



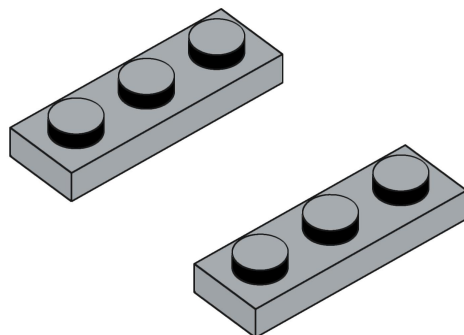
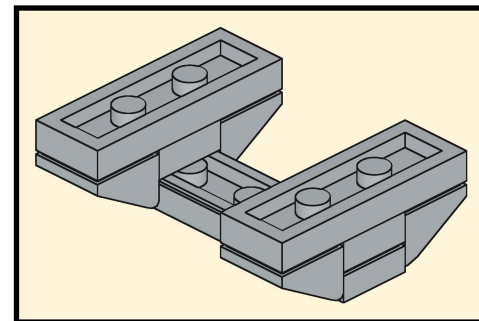
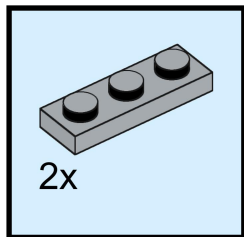
14



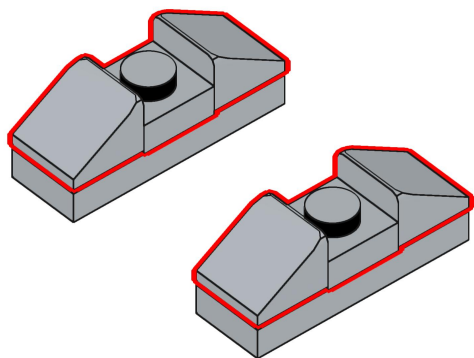
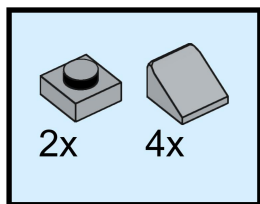
15



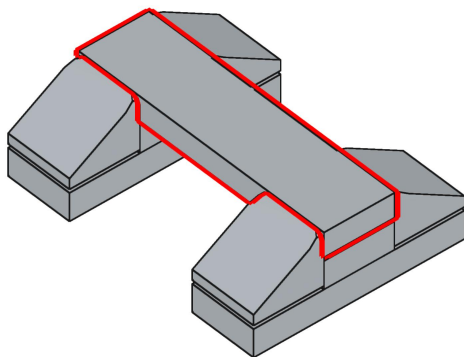
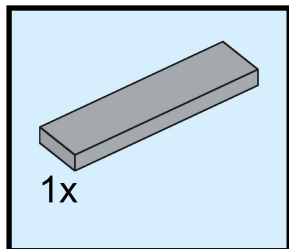
16



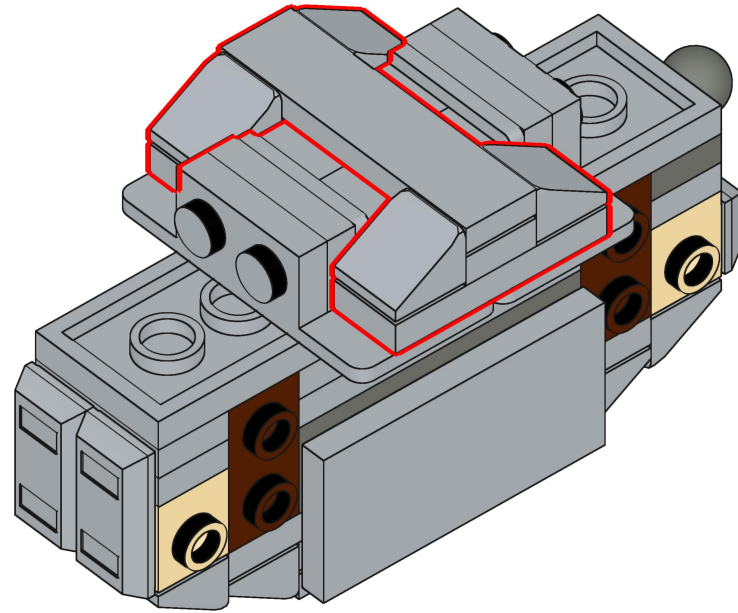
17



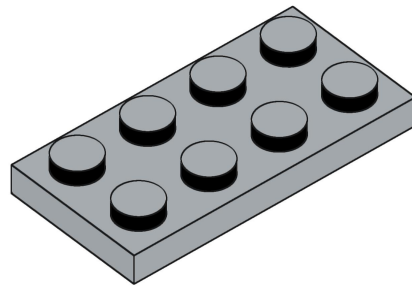
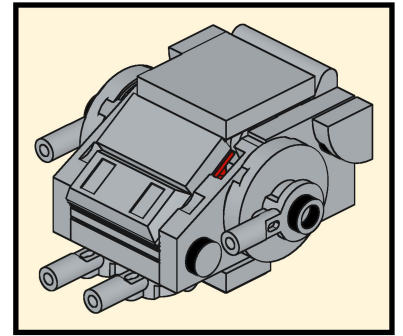
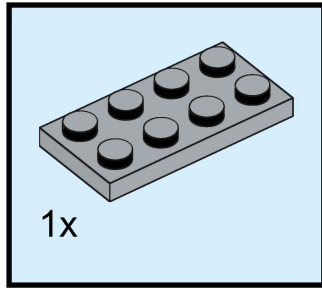
18



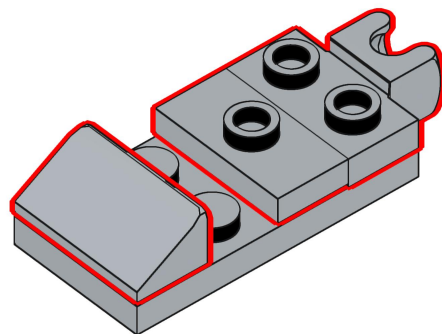
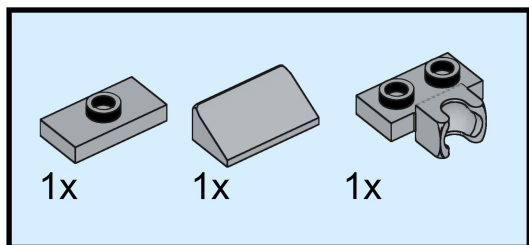
19



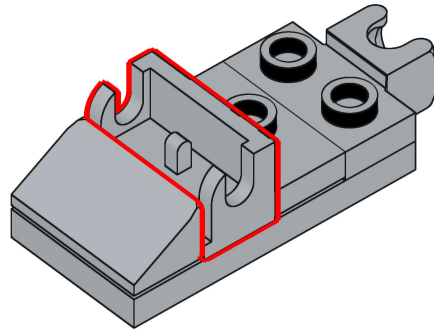
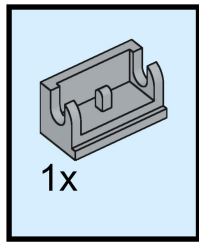
20



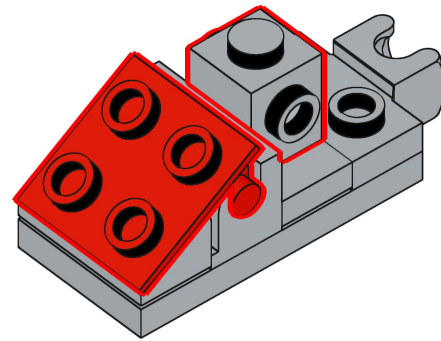
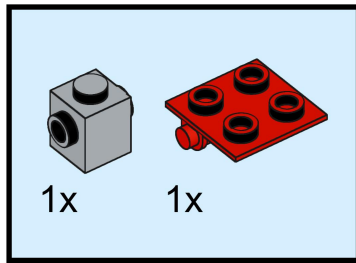
21



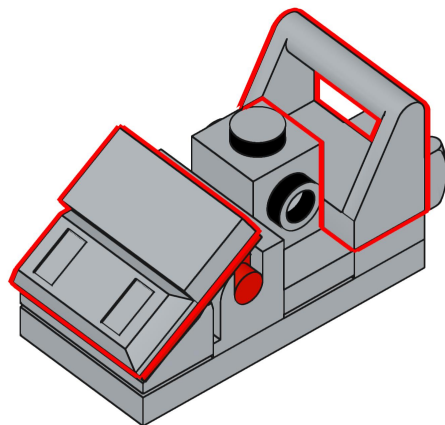
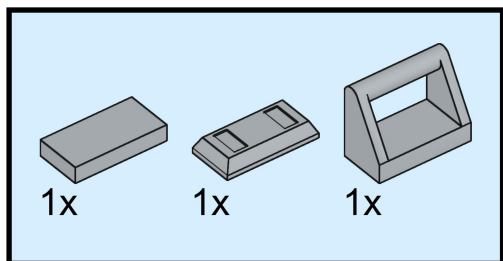
22



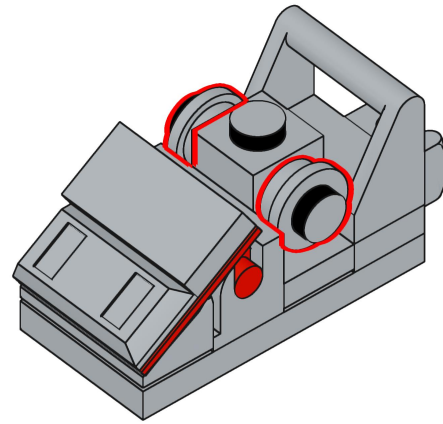
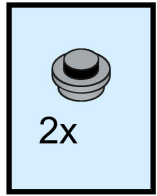
23



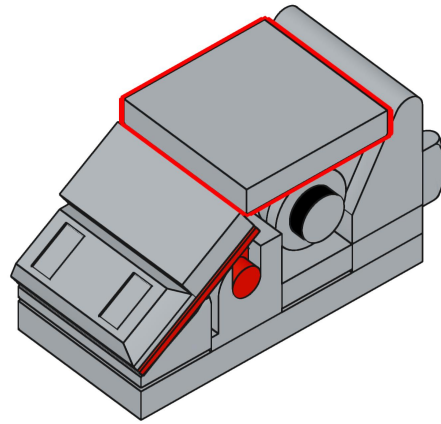
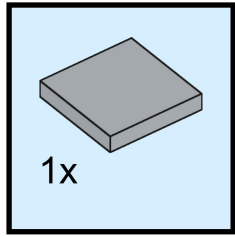
24



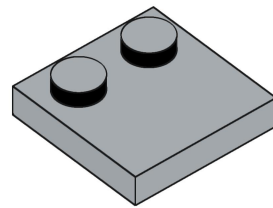
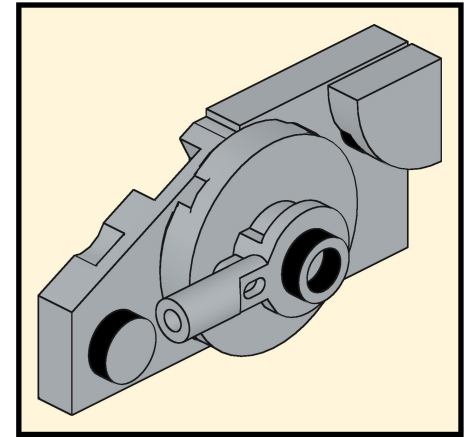
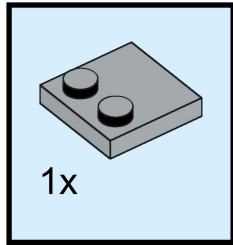
25



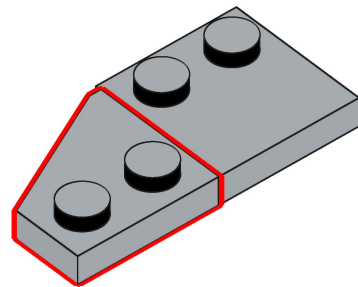
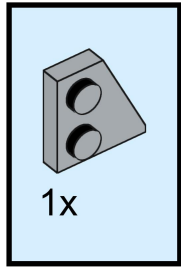
26



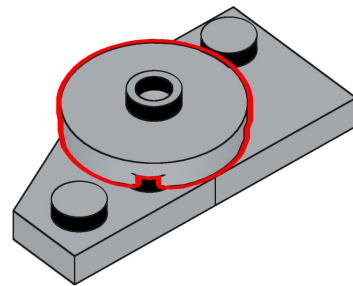
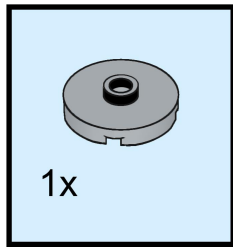
27



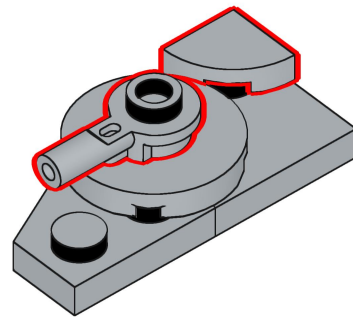
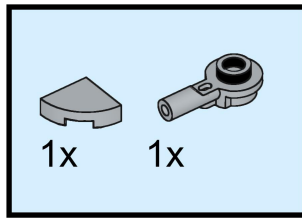
28



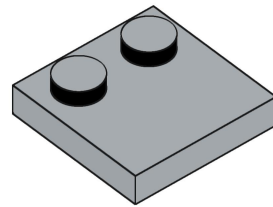
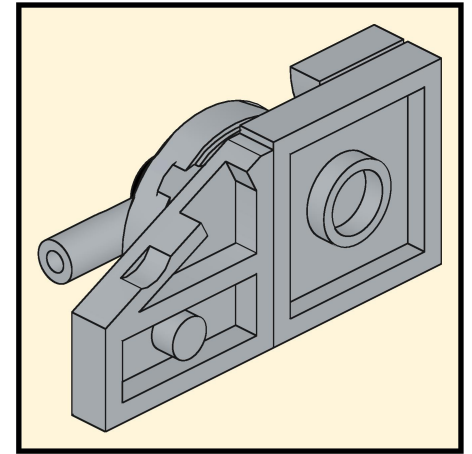
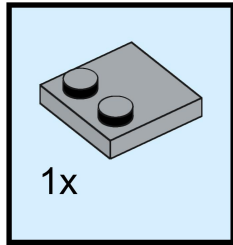
29



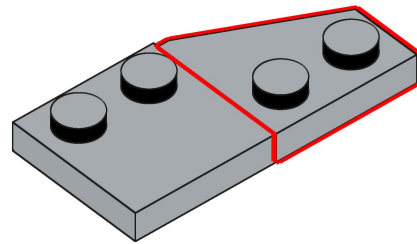
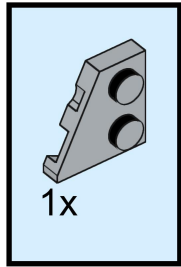
30



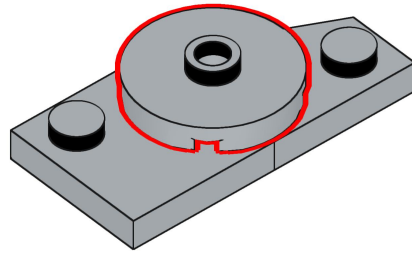
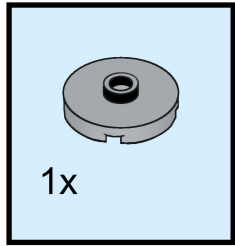
31



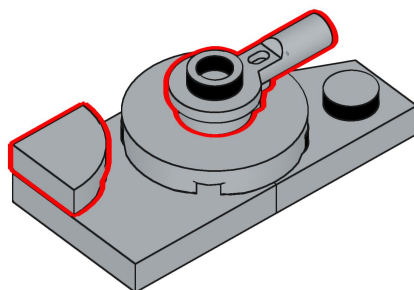
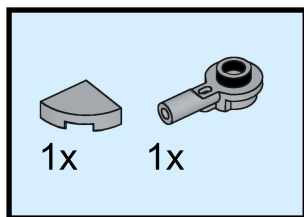
32



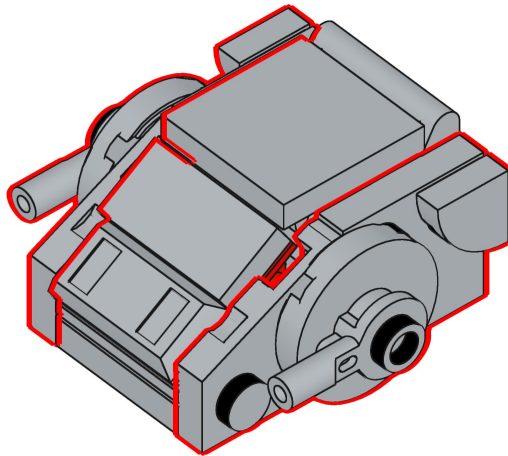
33



34

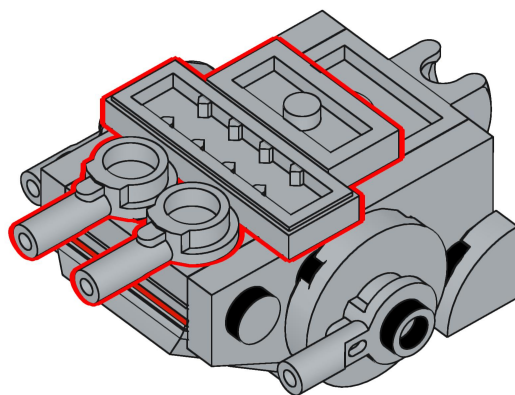
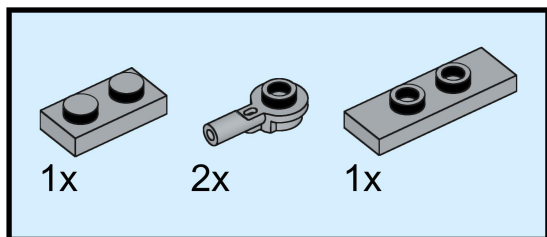


35

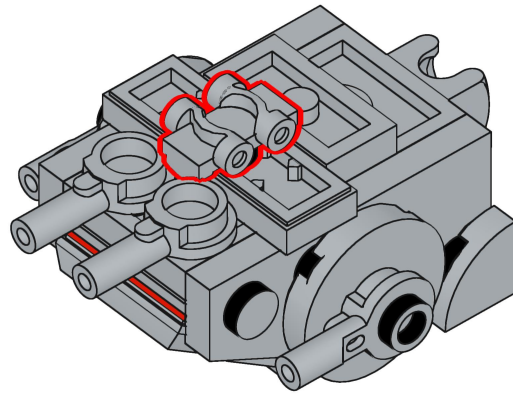
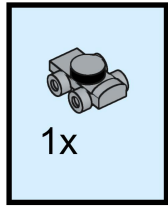


Note: These plates are only connected at about half stud depth. The connection should be strong enough to hold, but is obviously slightly more delicate than a normal connection.

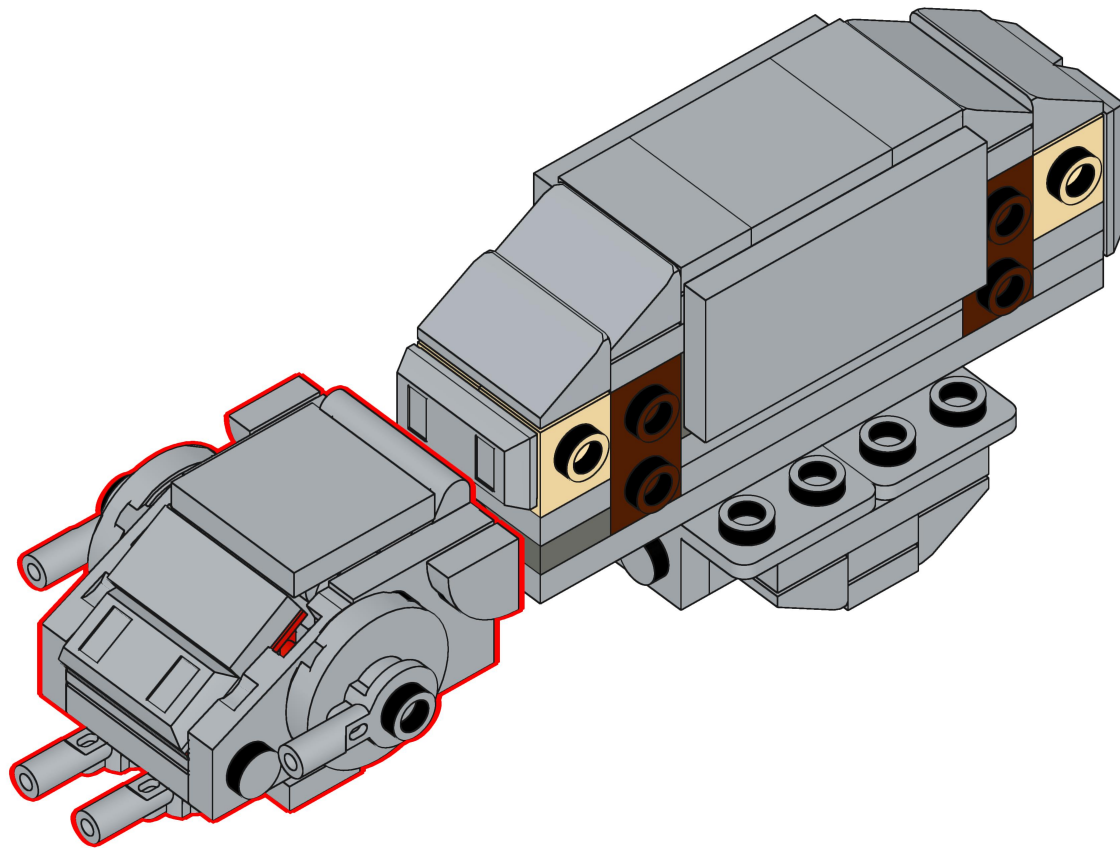
36



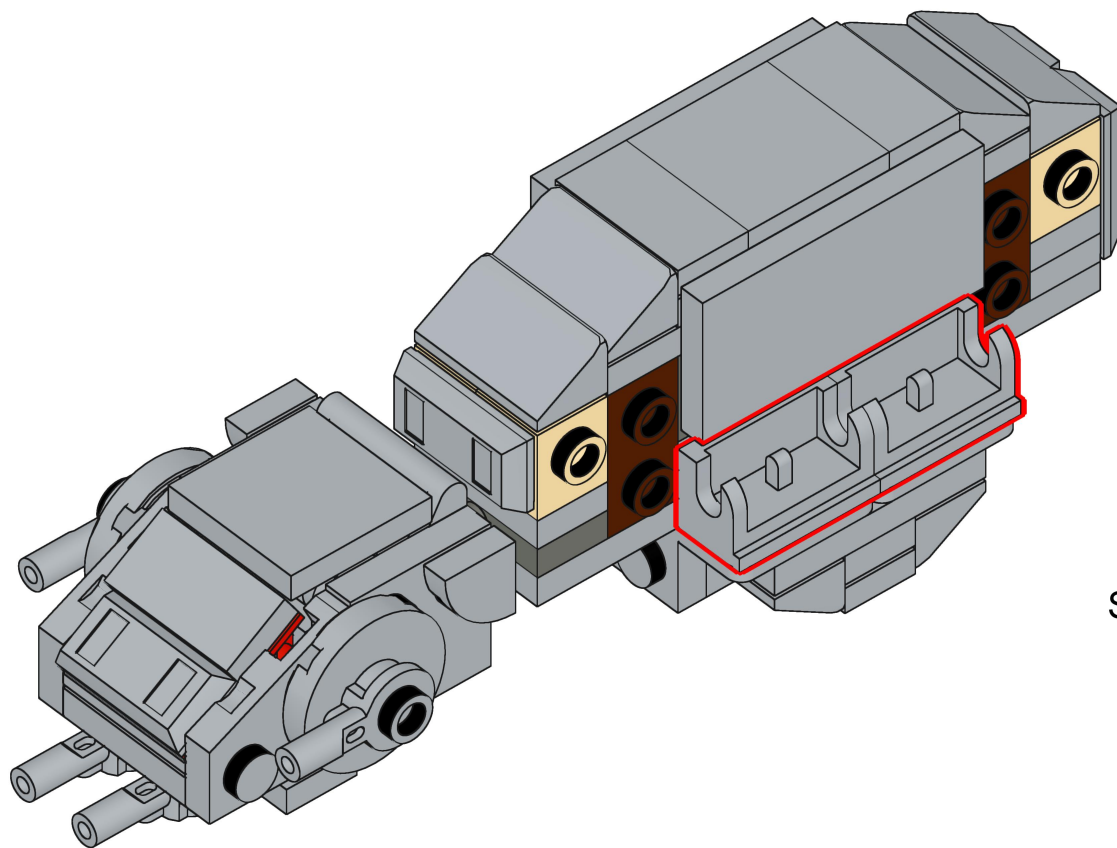
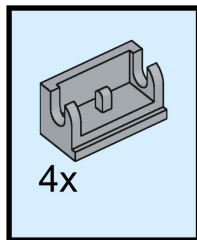
37



38

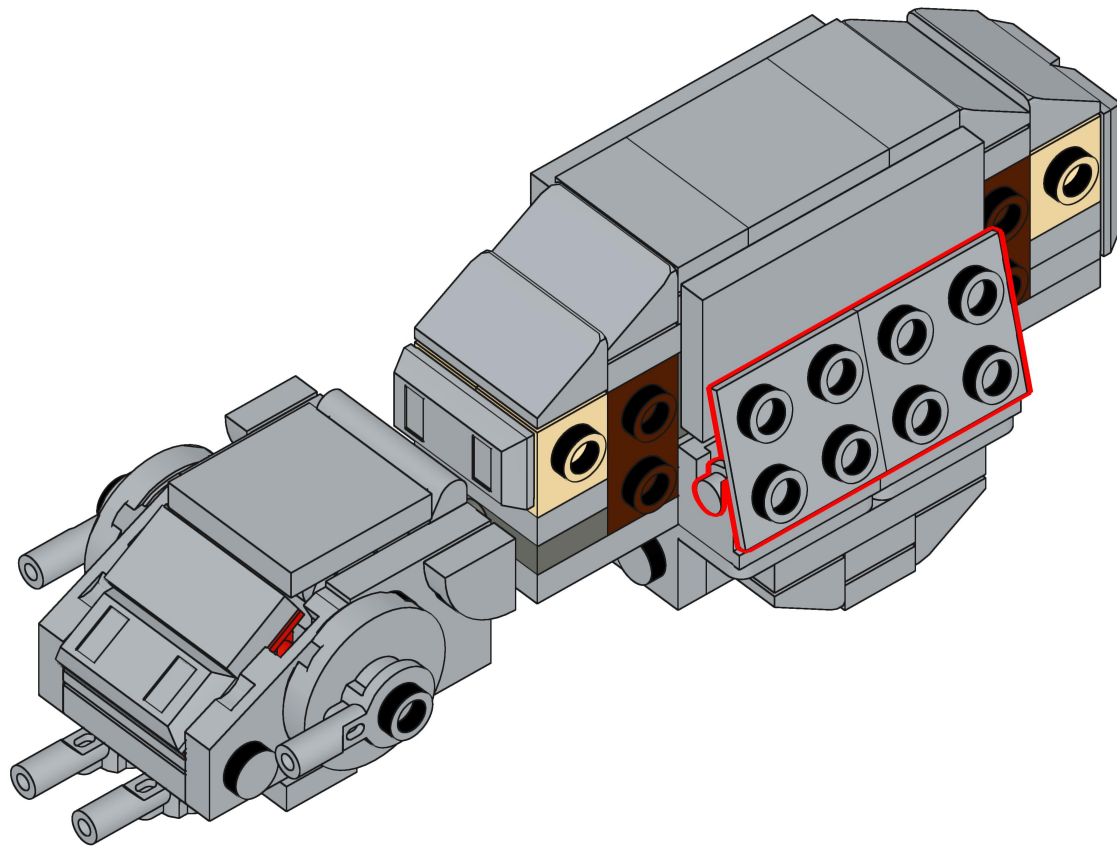
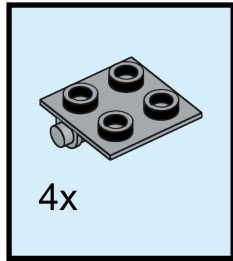


39

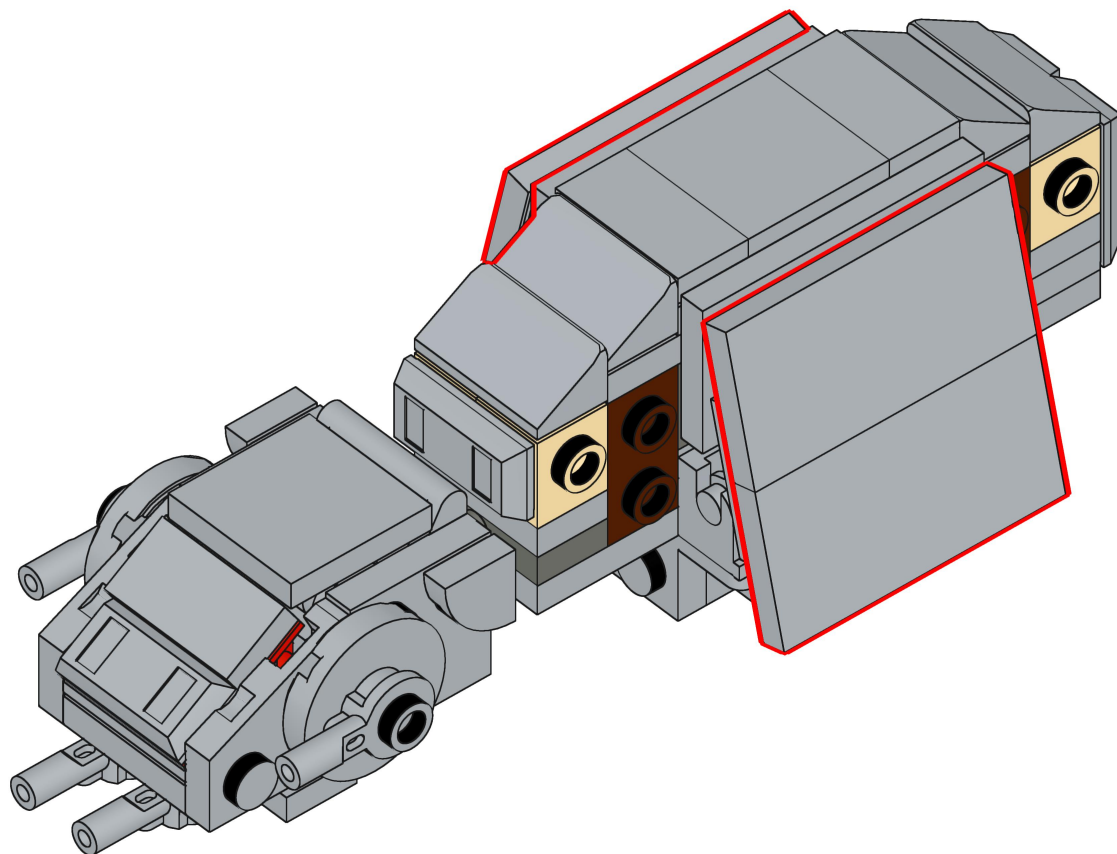
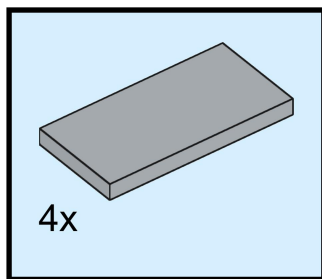


Symmetrical on each side.

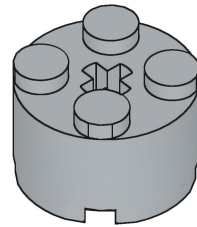
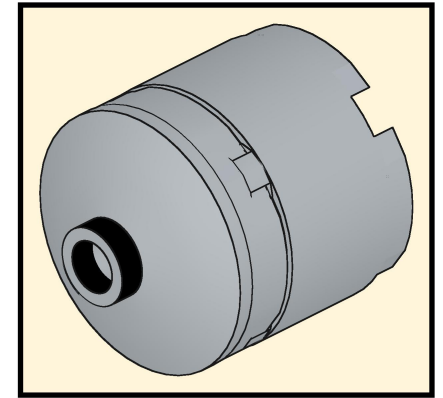
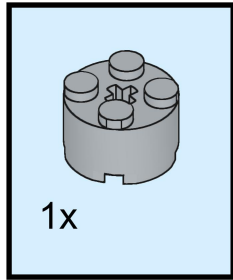
40



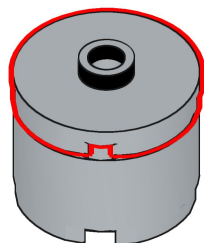
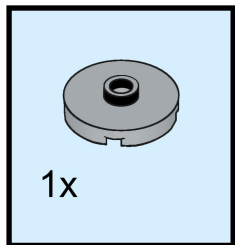
41



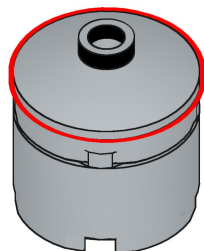
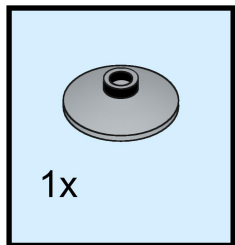
42



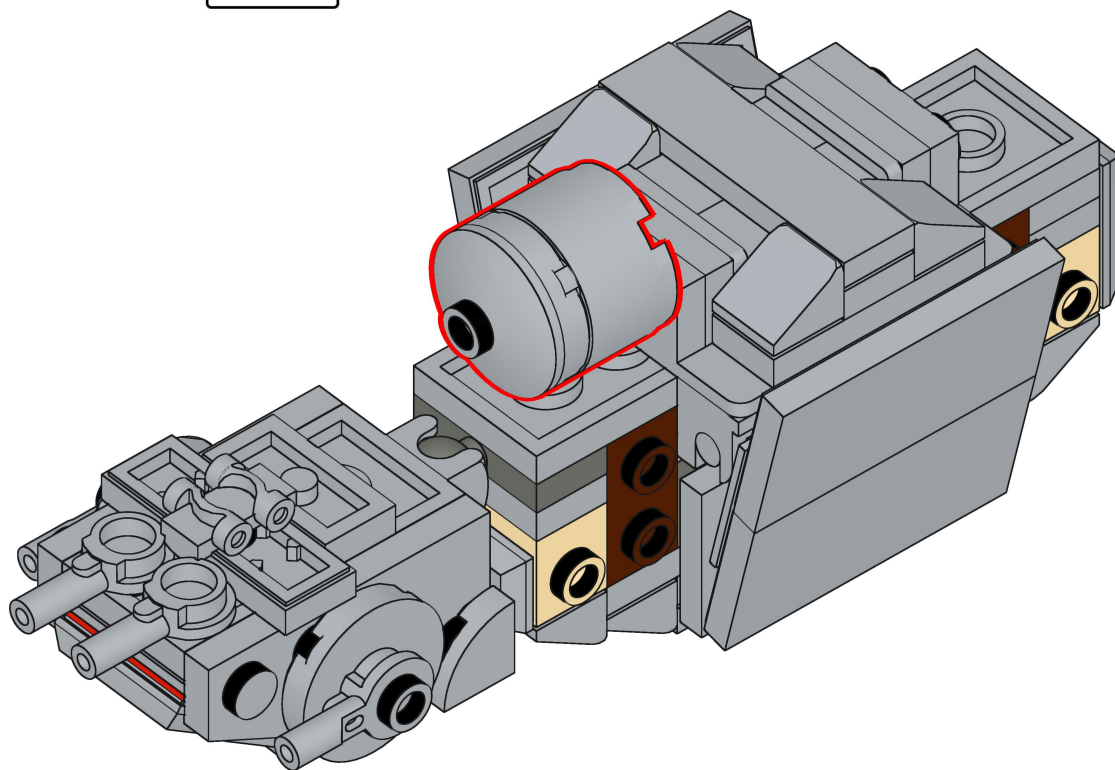
43



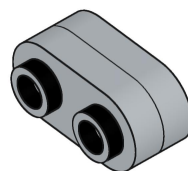
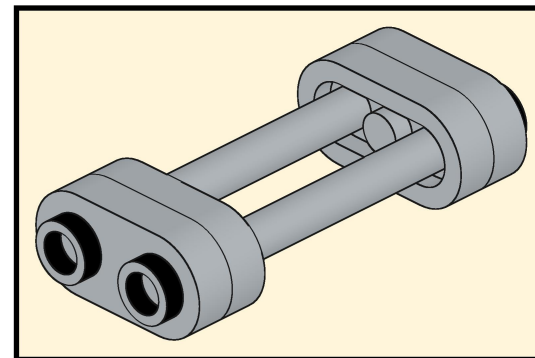
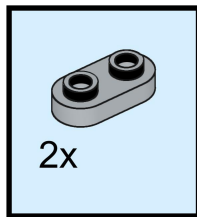
44



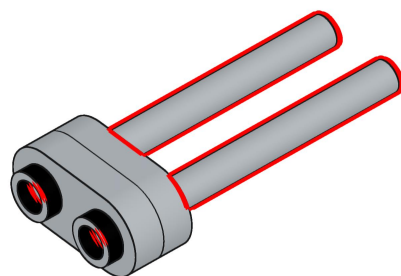
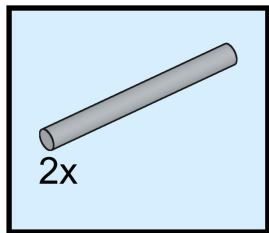
45



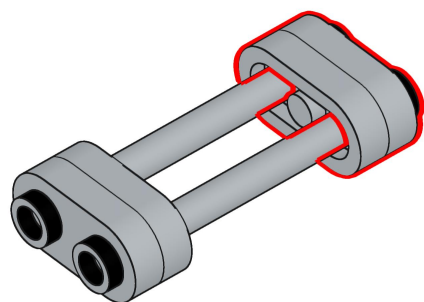
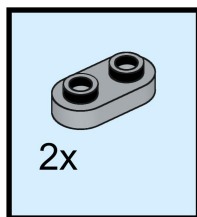
46



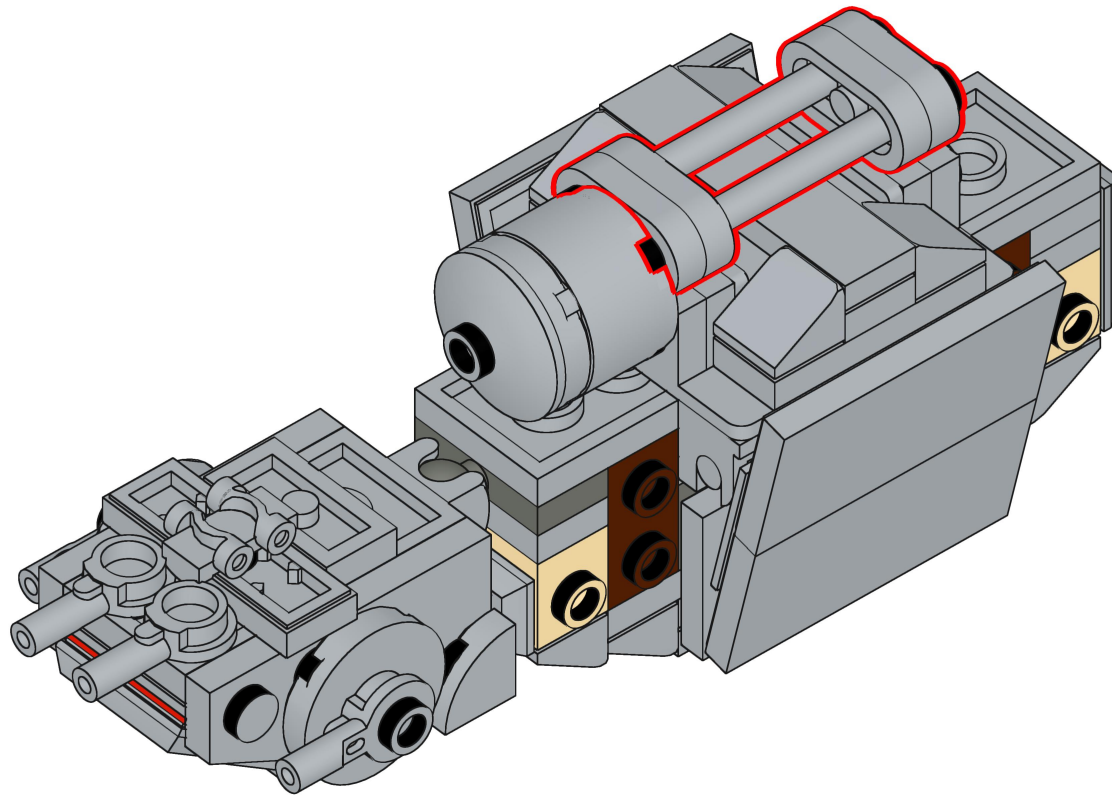
47



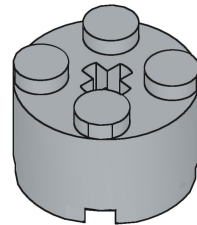
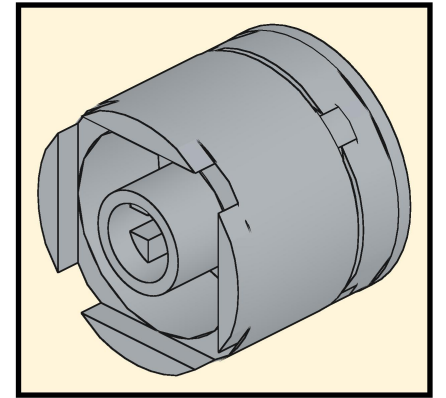
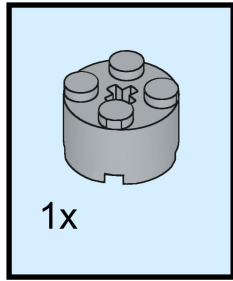
48



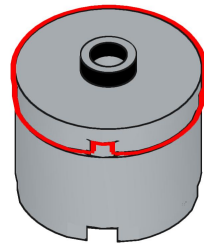
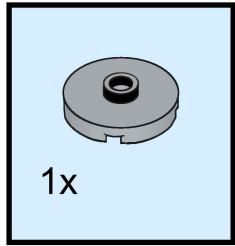
49



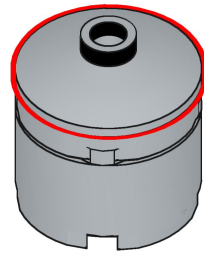
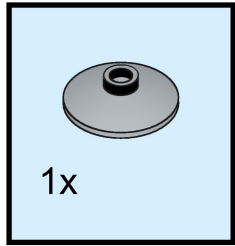
50



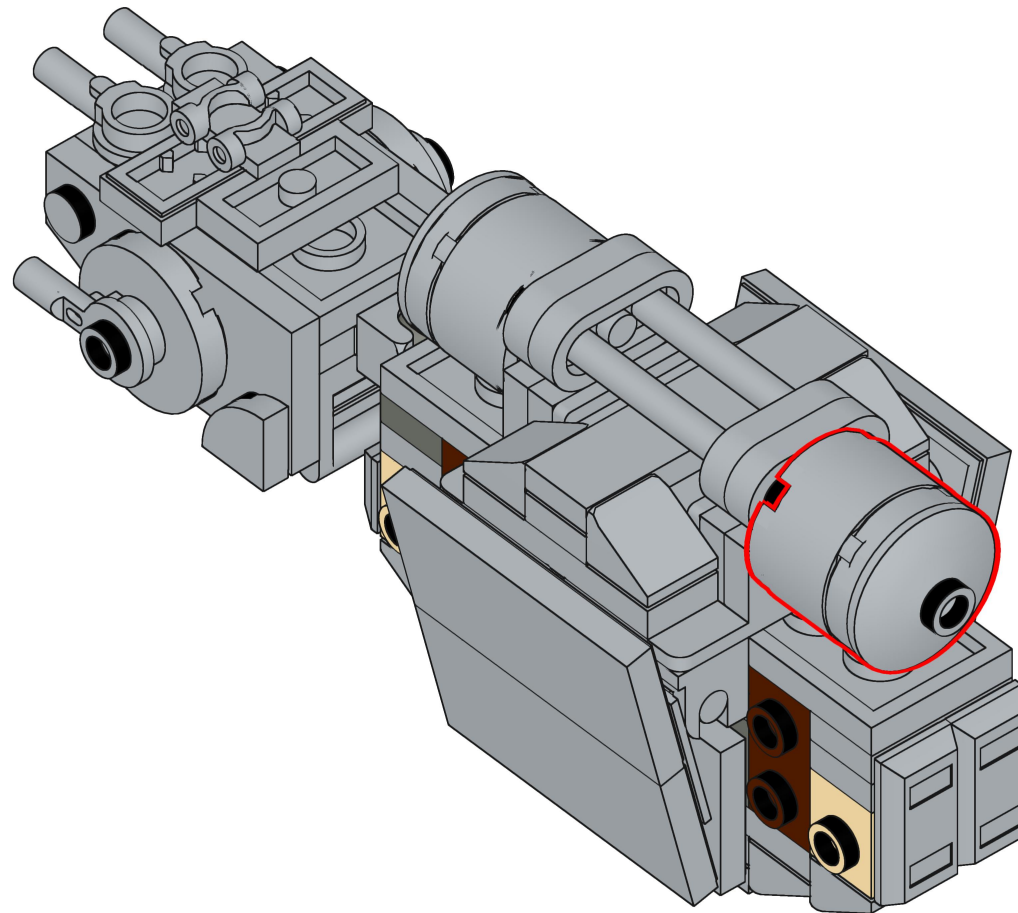
51



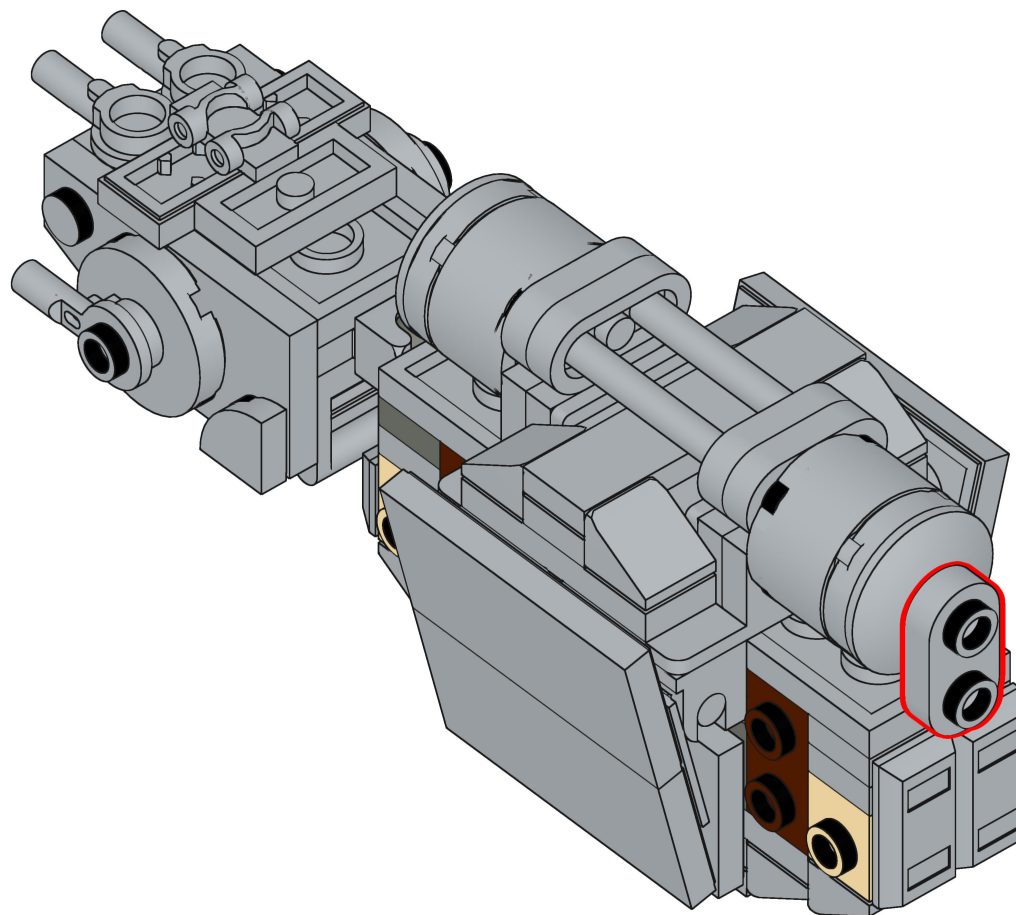
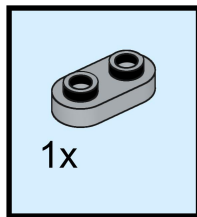
52



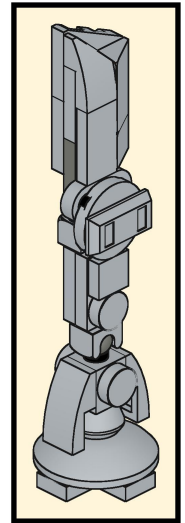
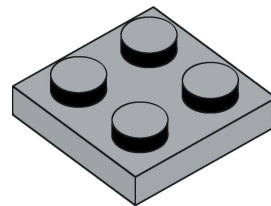
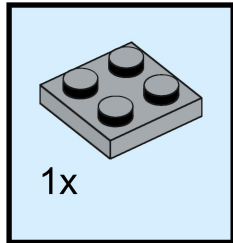
53



54



55

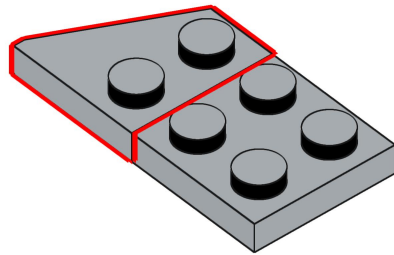
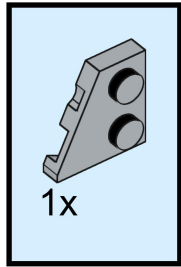


Four legs total. Two pairs of identical Legs:
- Front Right & Back Left are identical
- Front Left & Back Right are identical

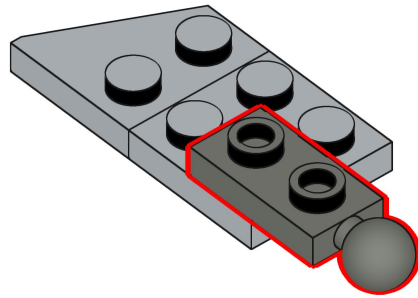
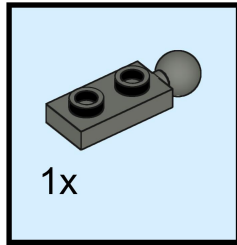
The two pairs are mirror images of each other.

If it's easier, you can assemble all at once.

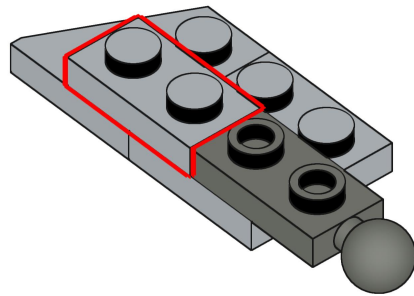
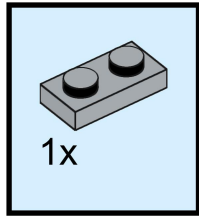
56



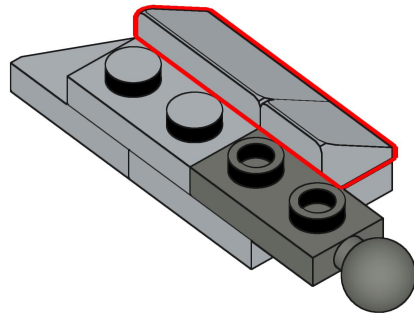
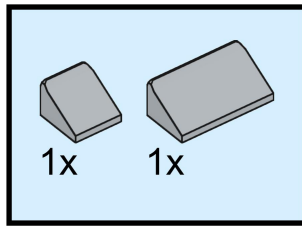
57



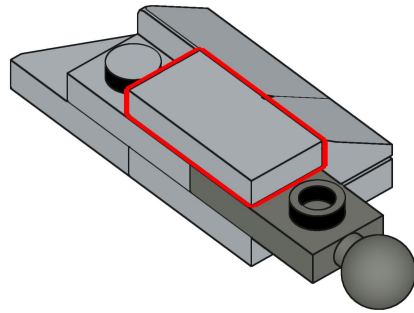
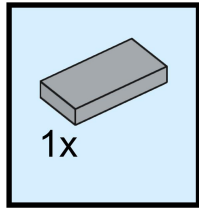
58



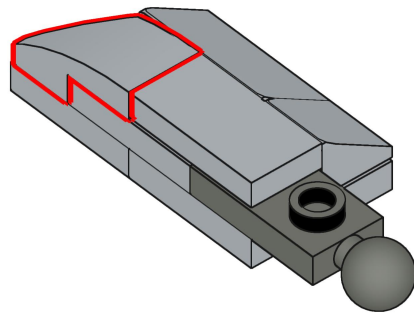
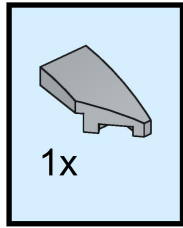
59



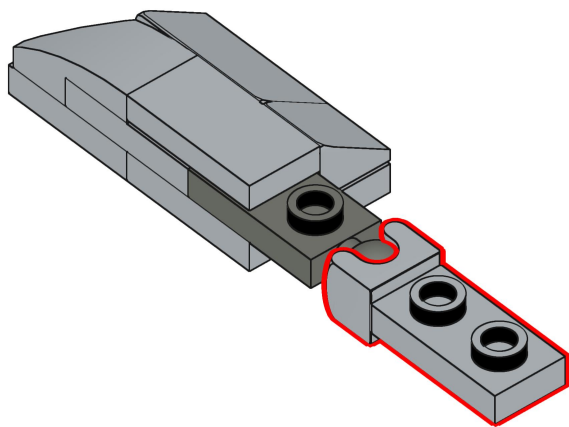
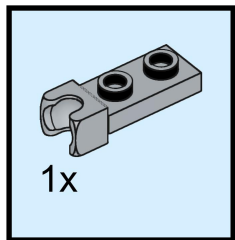
60



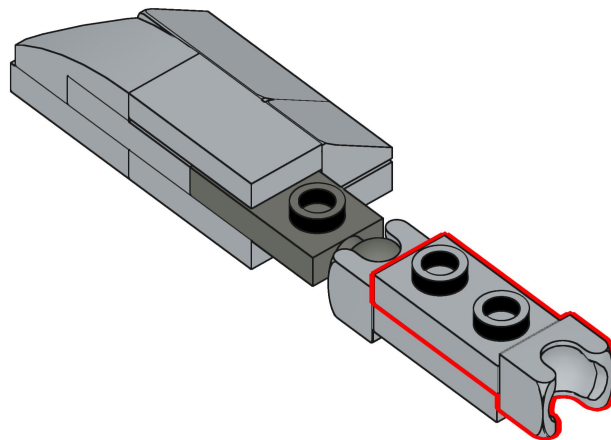
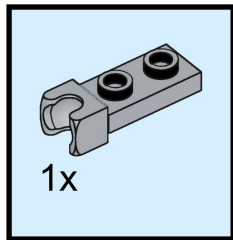
61



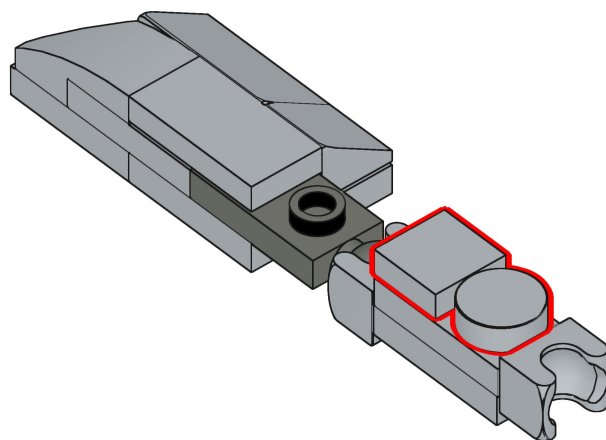
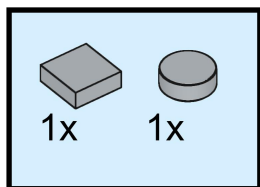
62



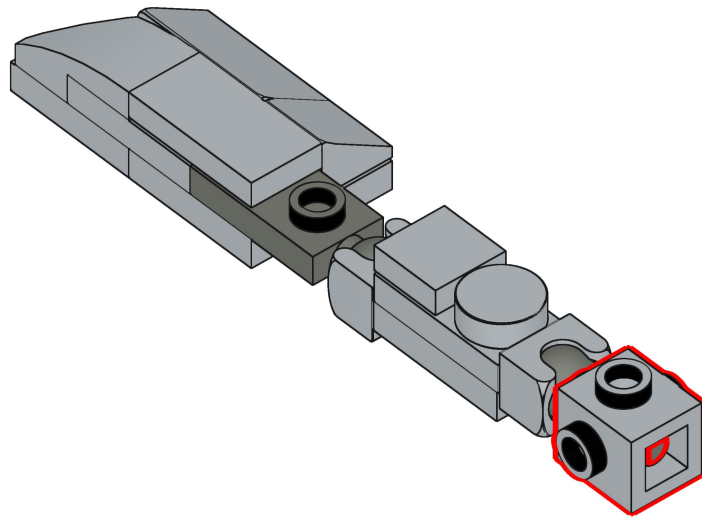
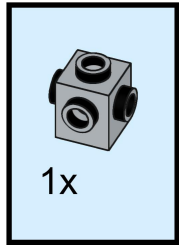
63



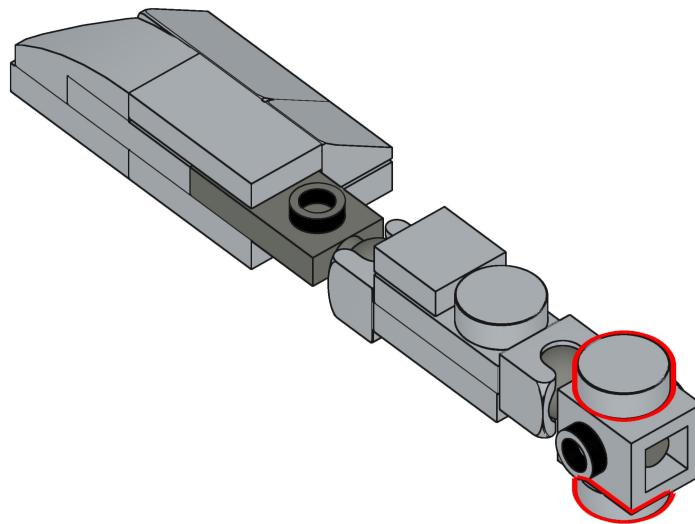
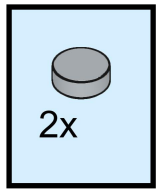
64



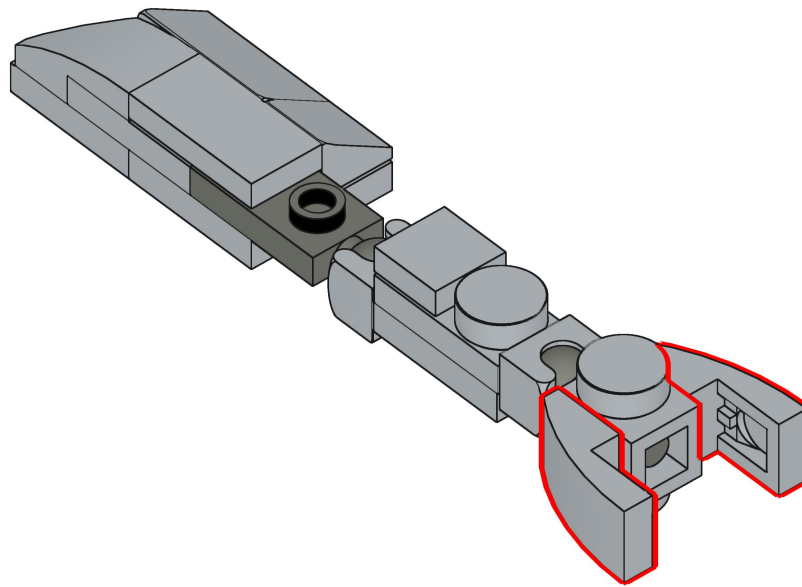
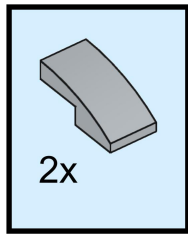
66



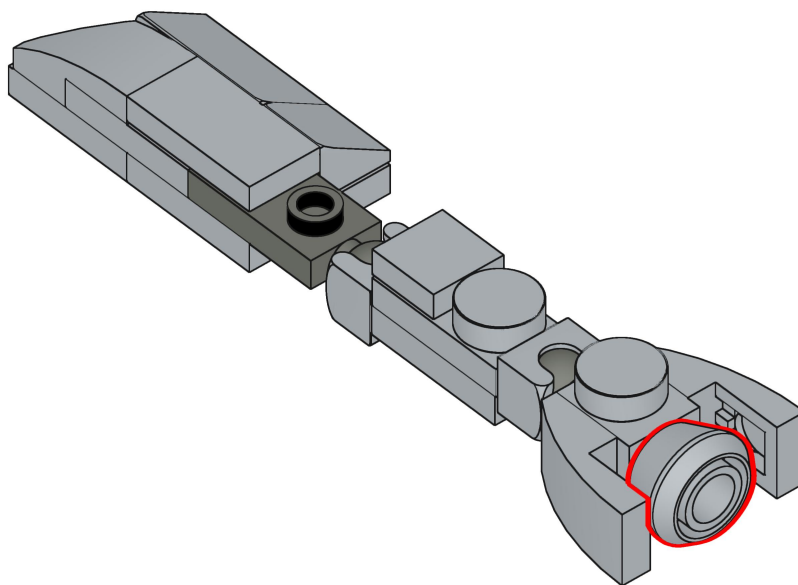
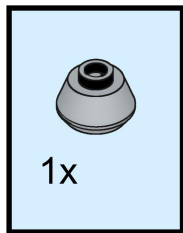
67



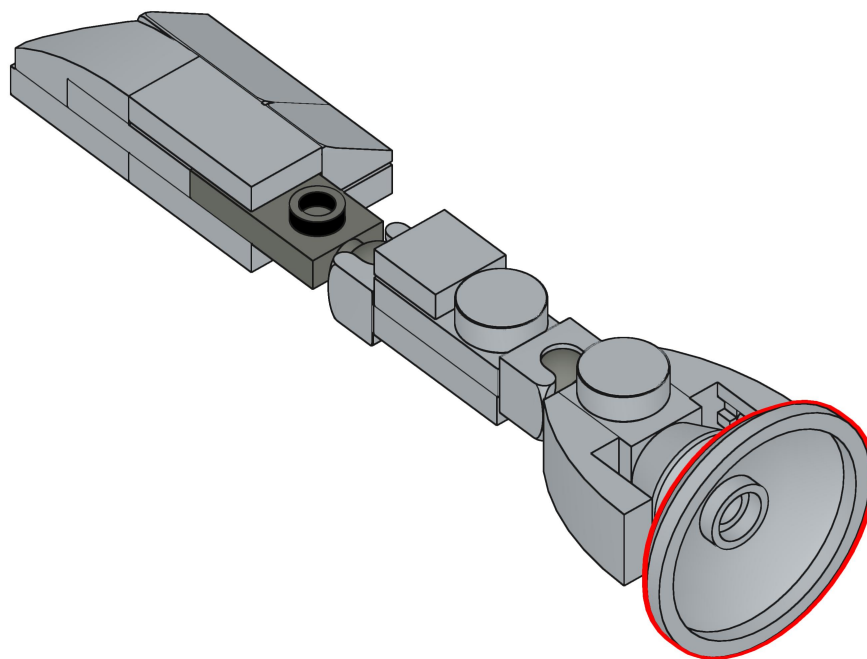
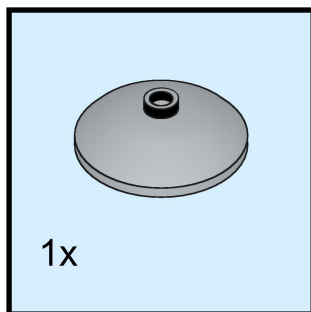
68



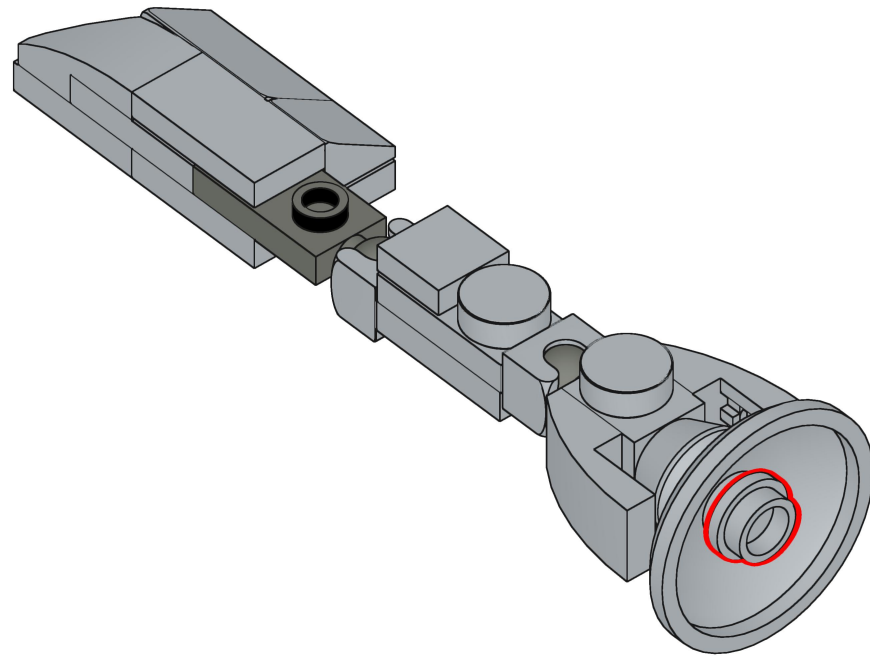
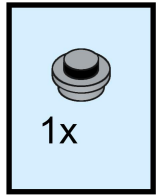
69



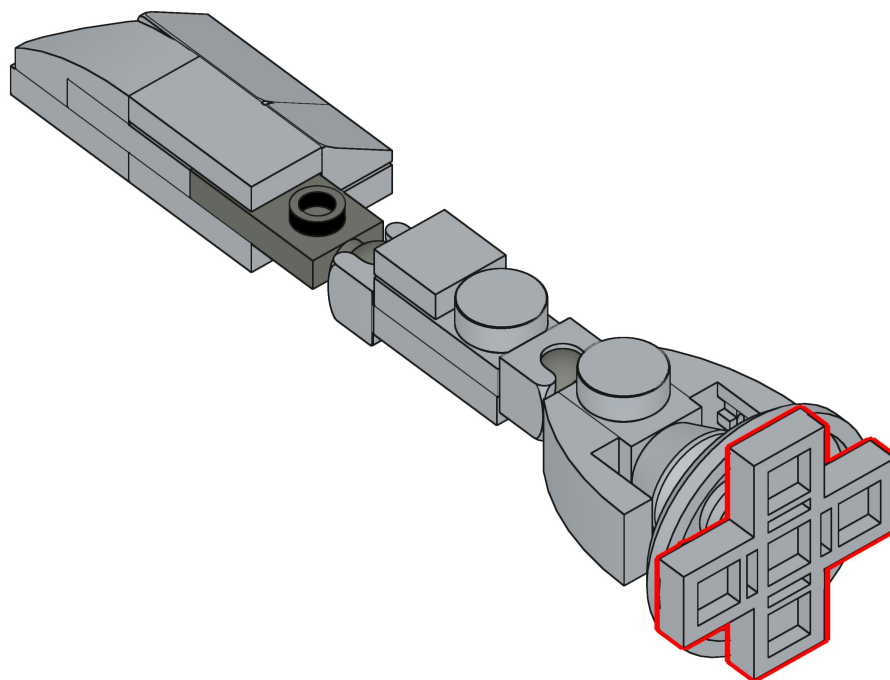
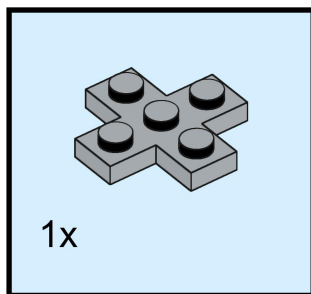
70



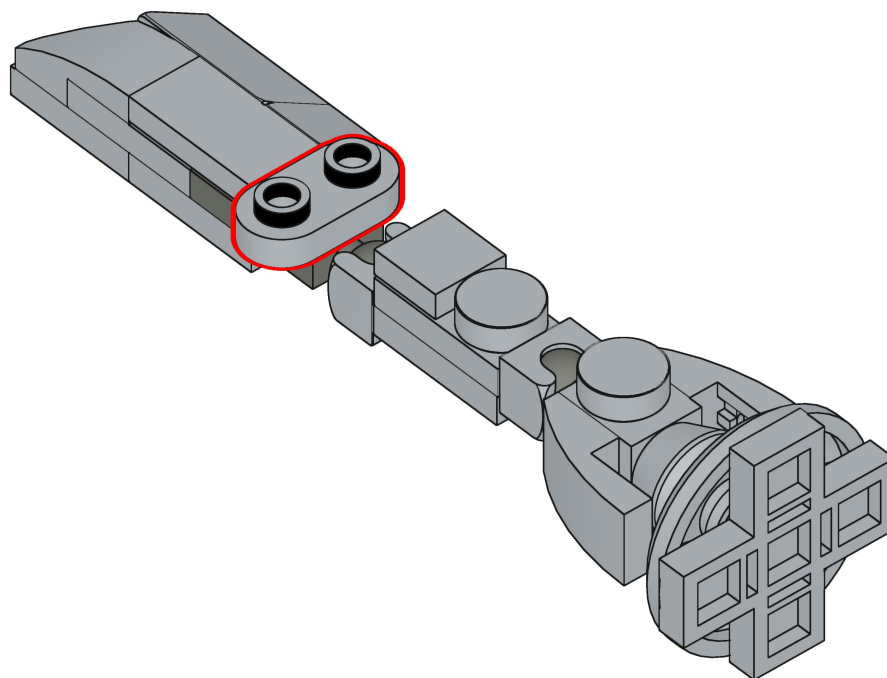
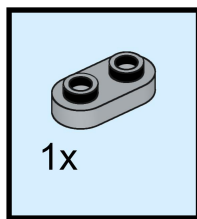
71



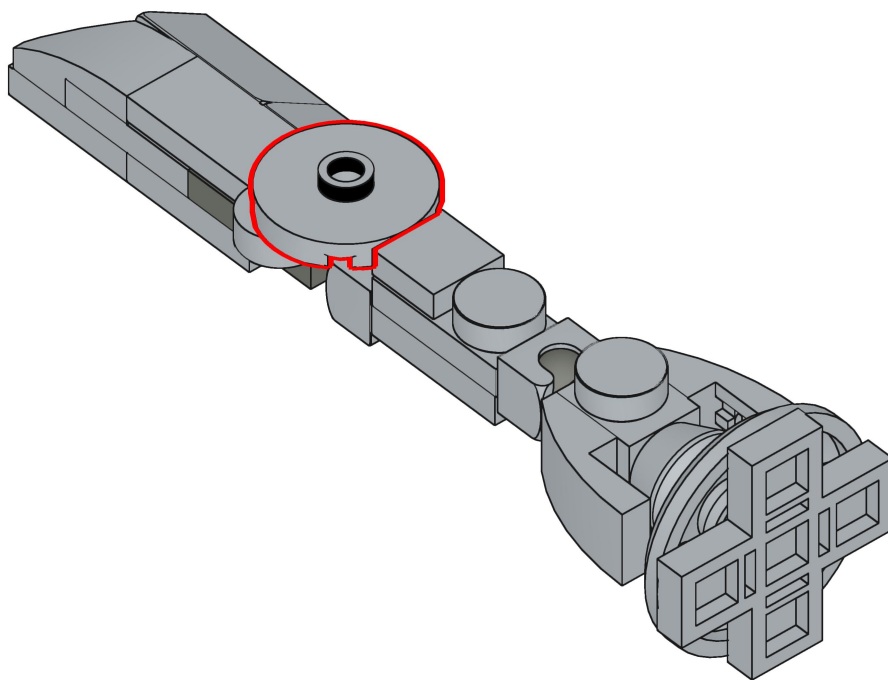
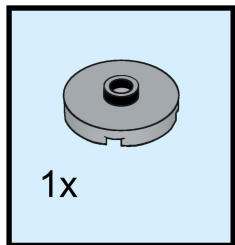
72



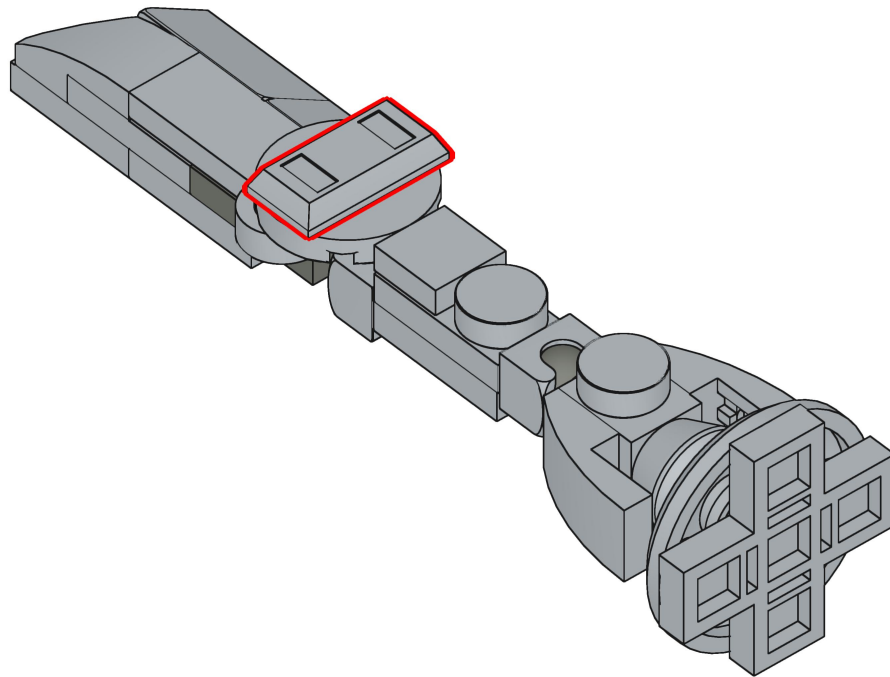
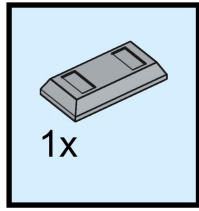
73



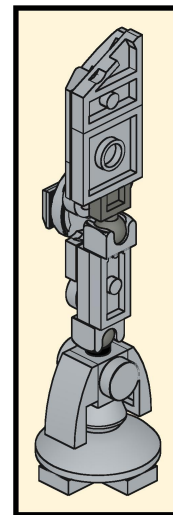
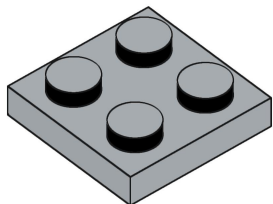
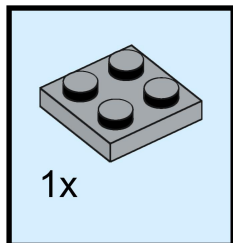
74



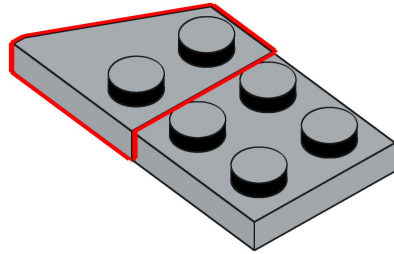
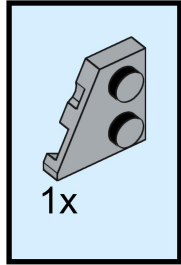
75



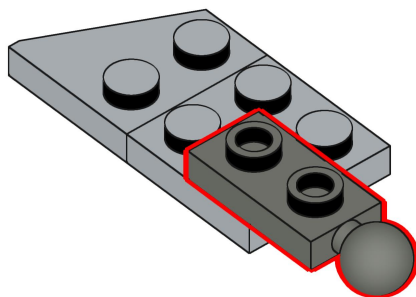
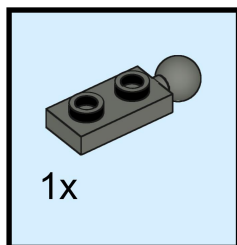
76



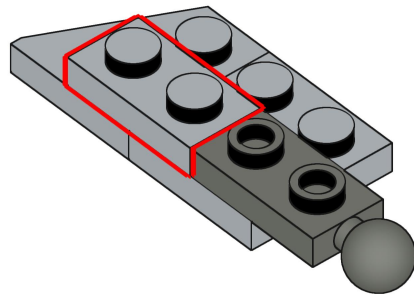
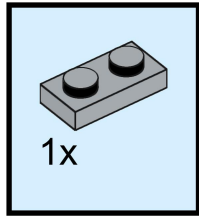
77



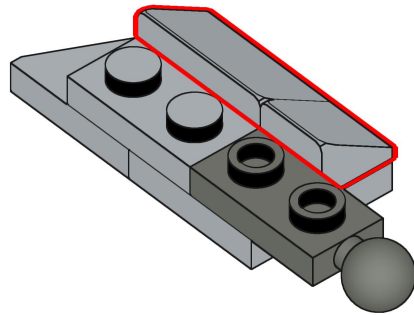
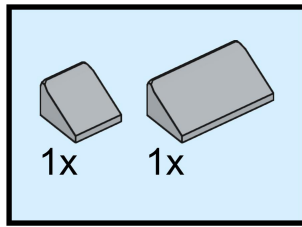
78



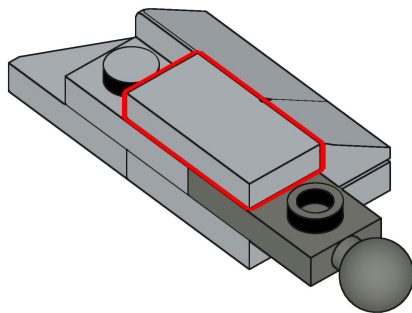
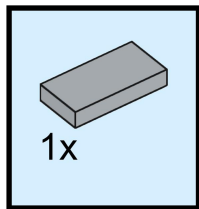
79



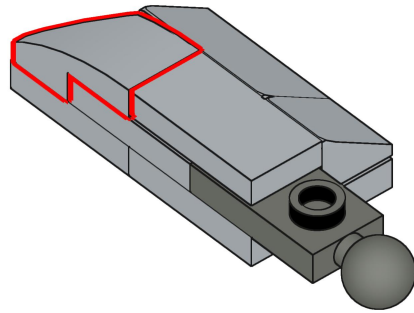
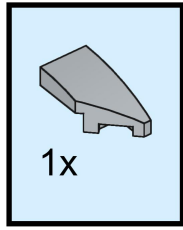
80



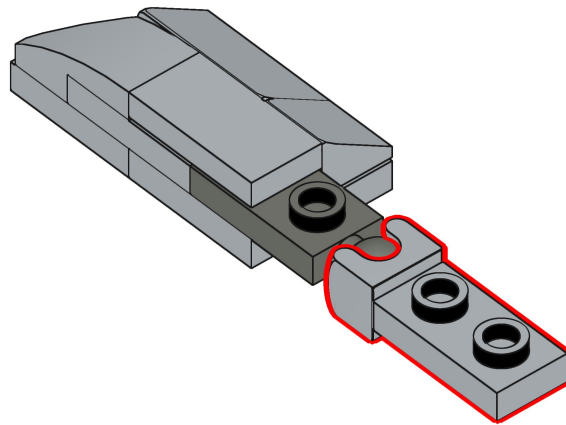
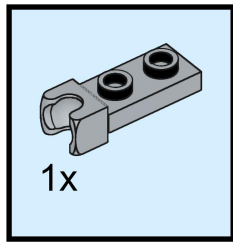
81



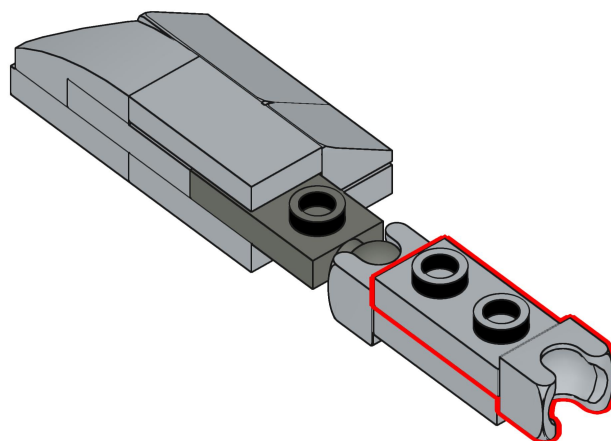
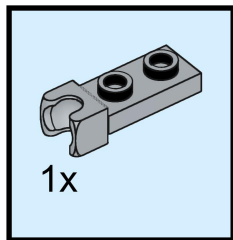
82



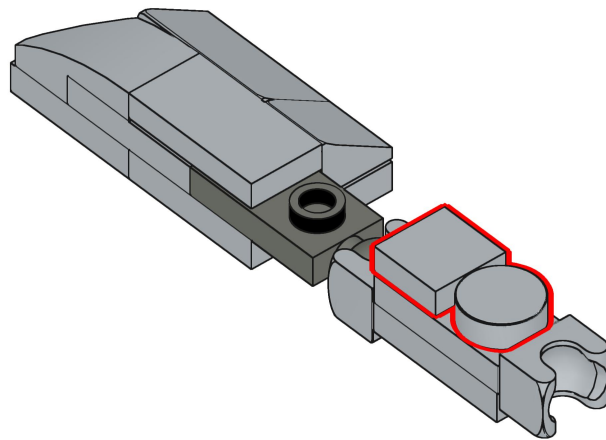
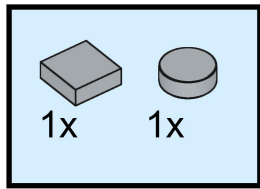
83



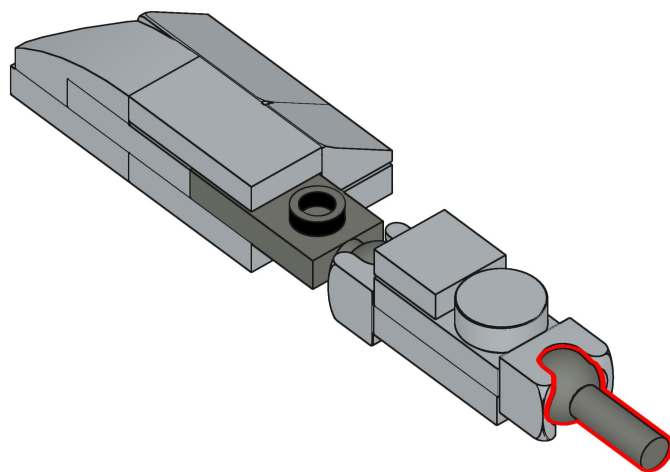
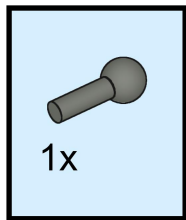
84



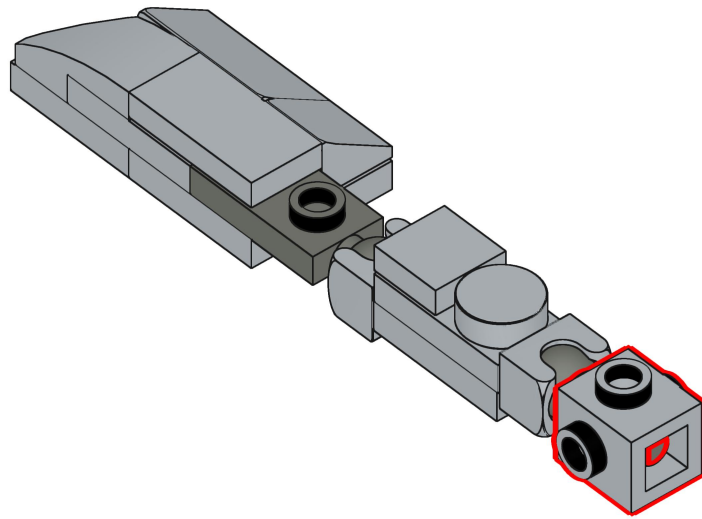
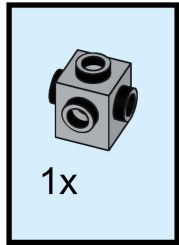
85



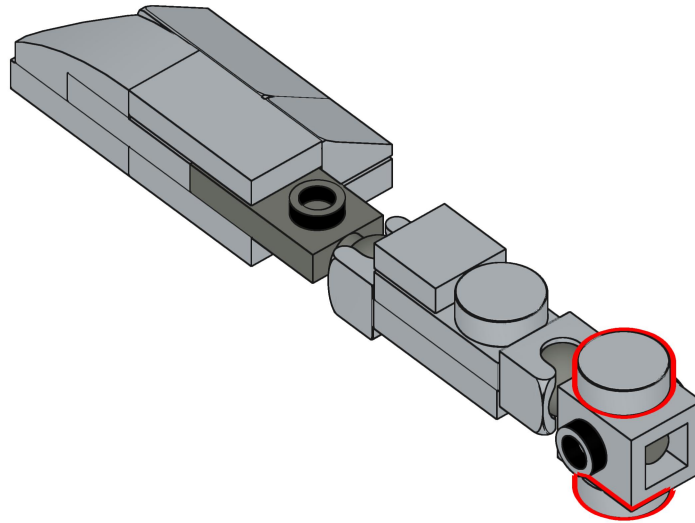
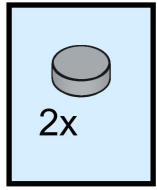
86



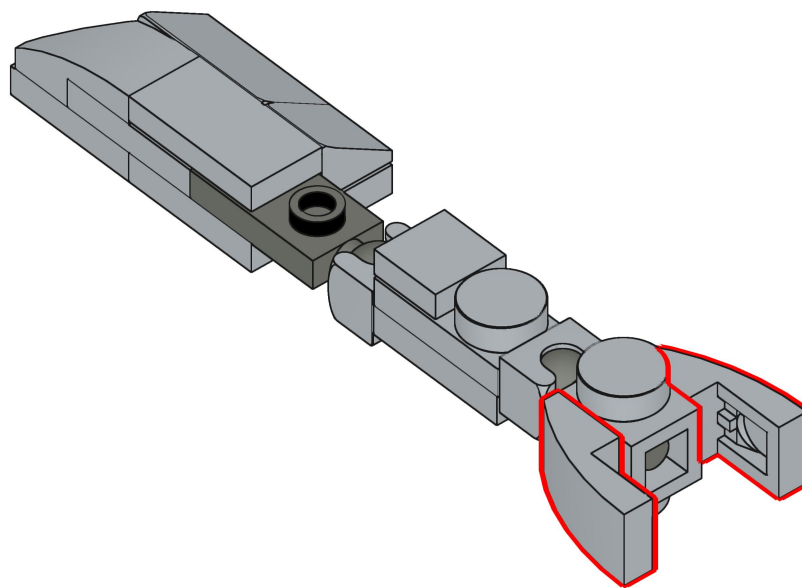
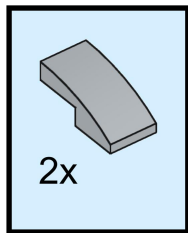
87



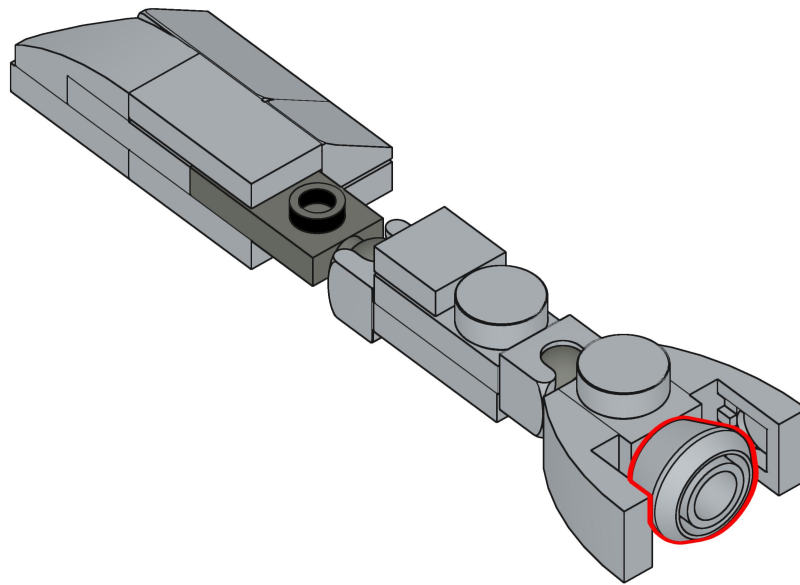
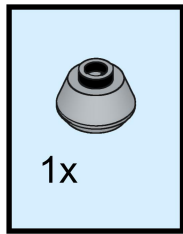
88



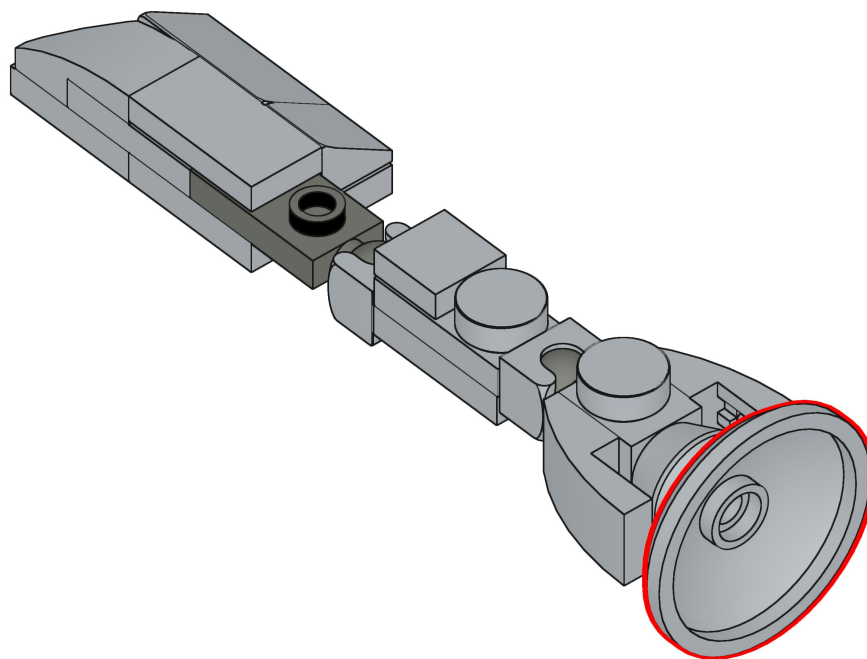
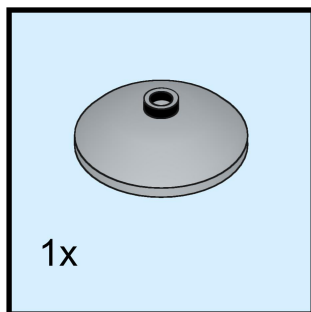
89



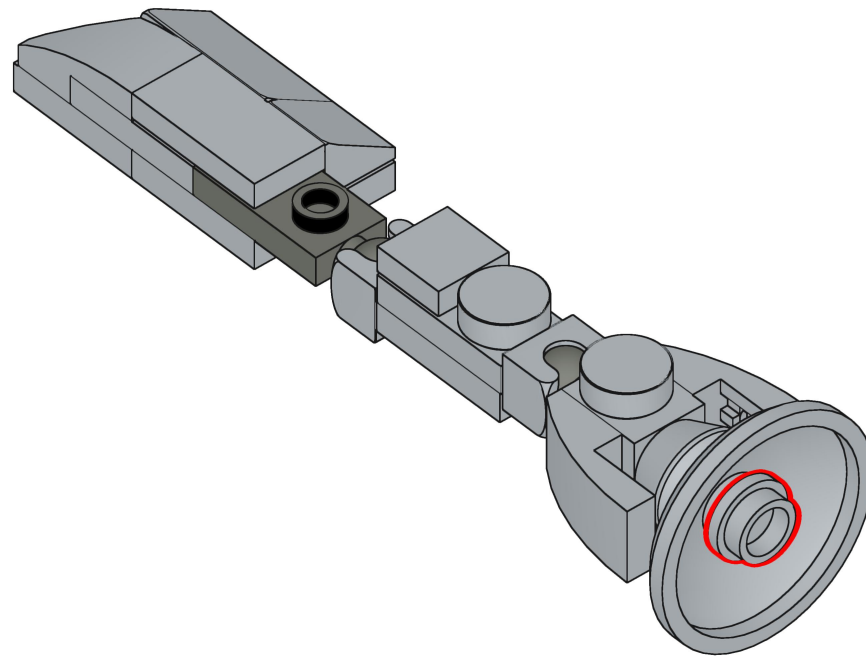
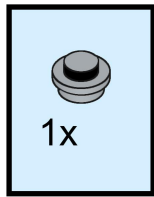
90



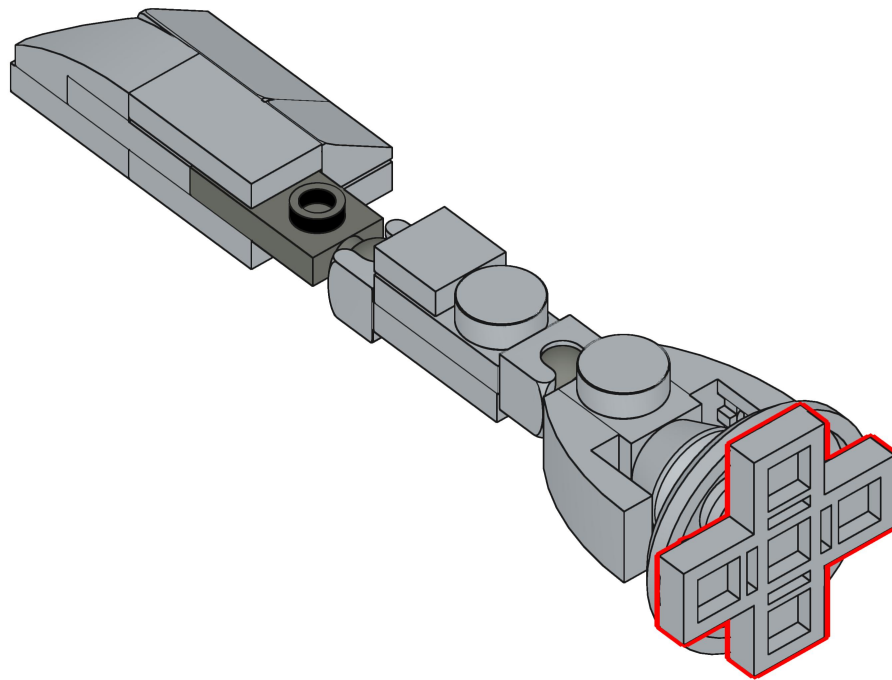
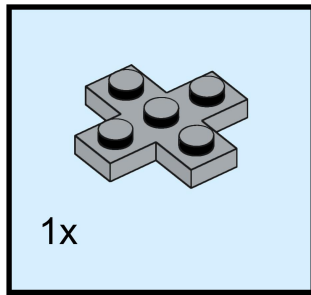
91



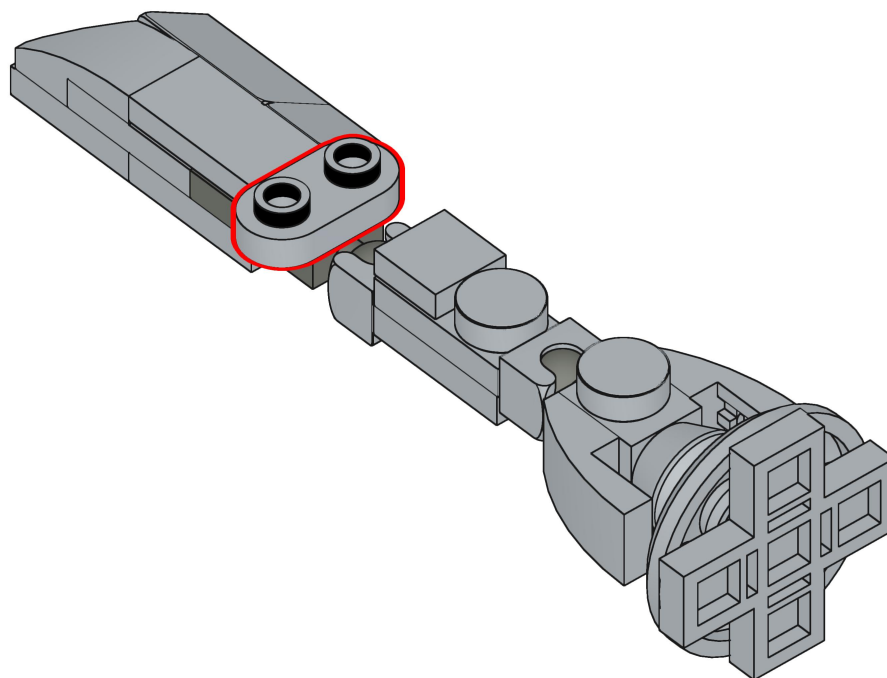
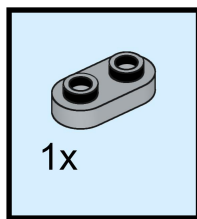
92



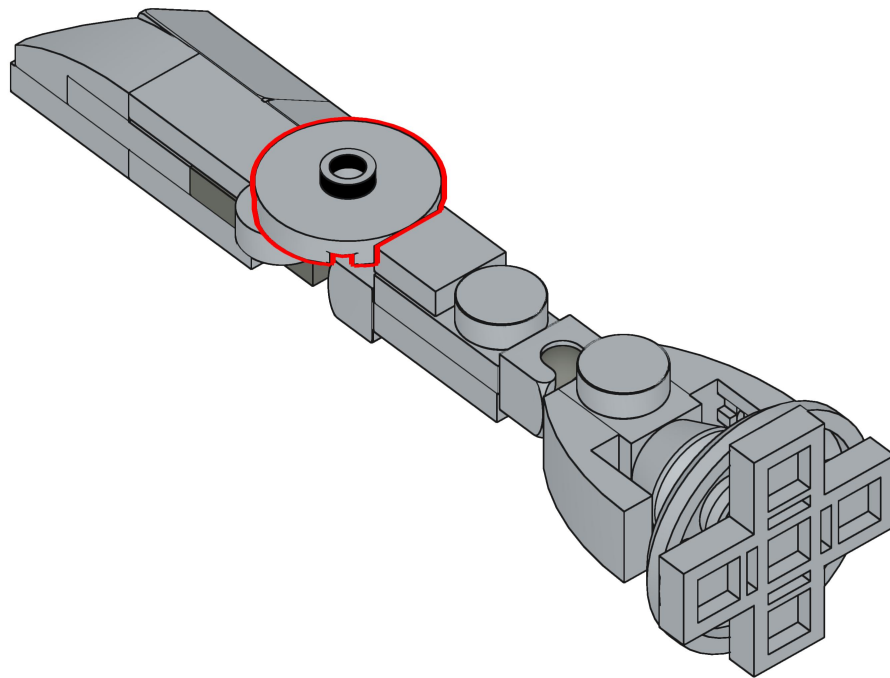
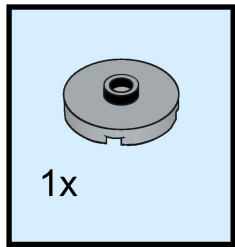
93



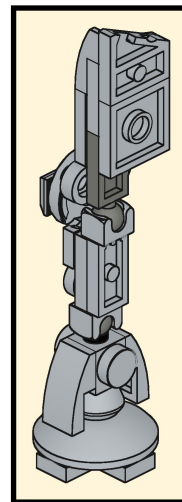
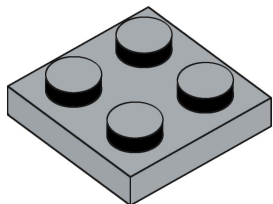
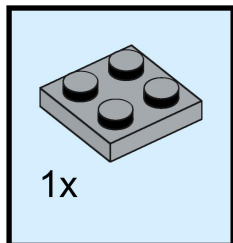
94



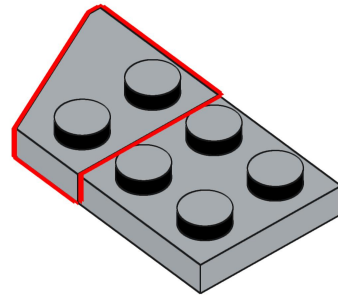
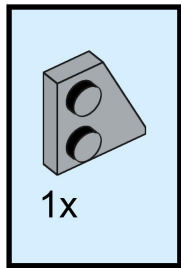
95



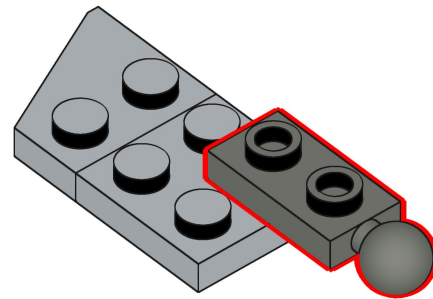
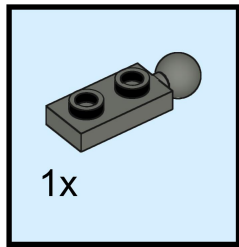
97



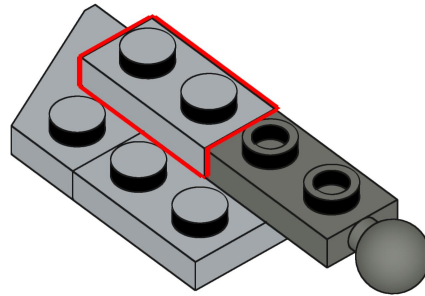
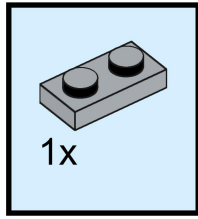
98



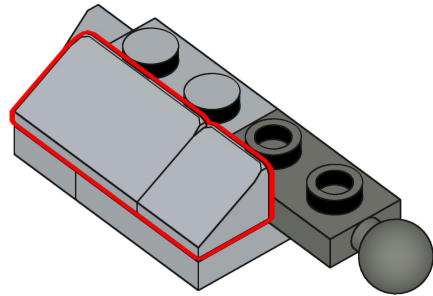
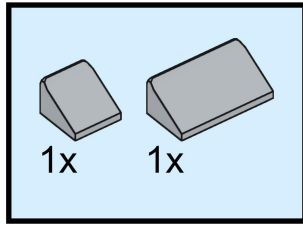
99



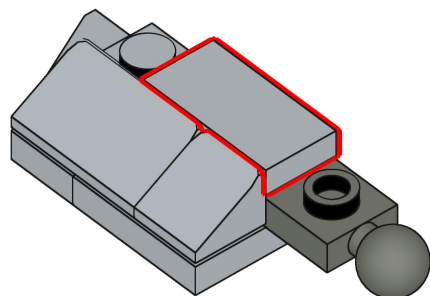
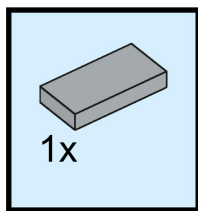
100



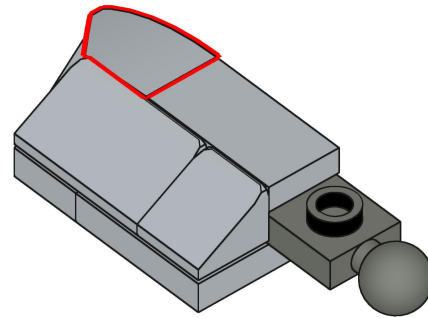
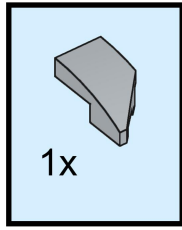
101



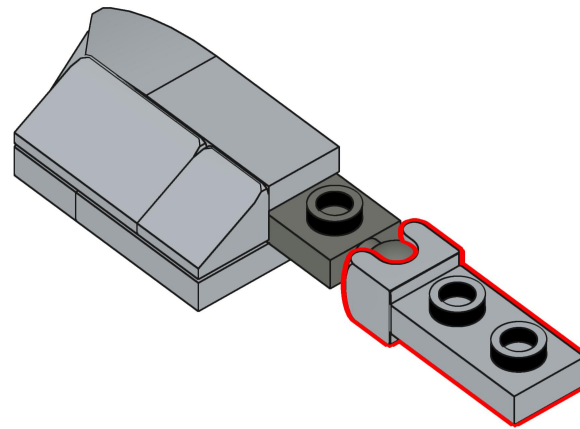
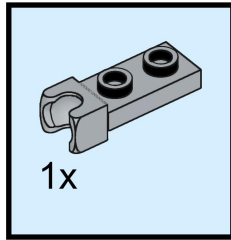
102



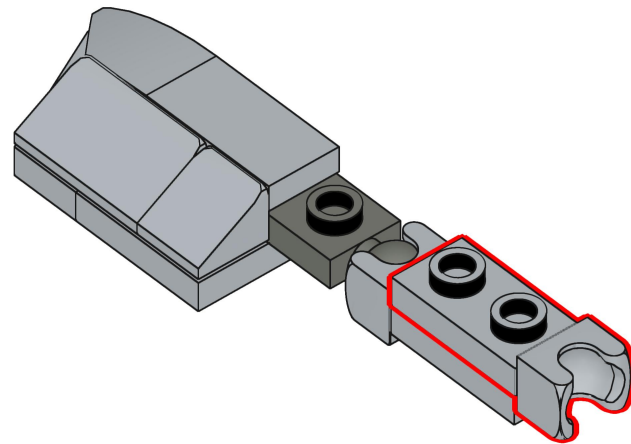
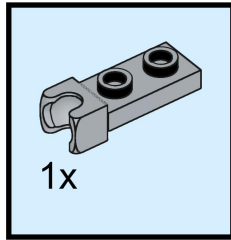
103



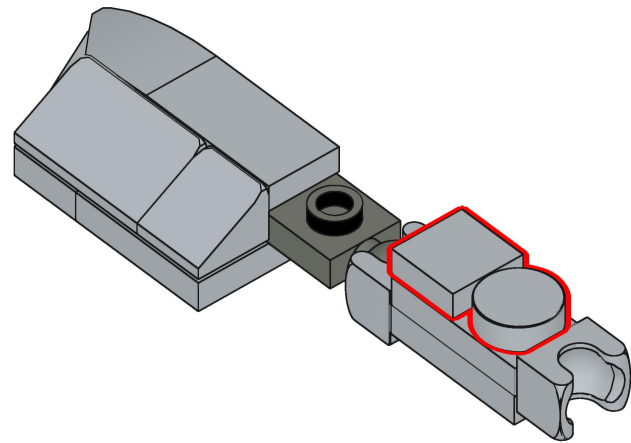
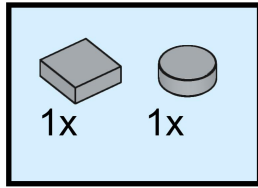
104



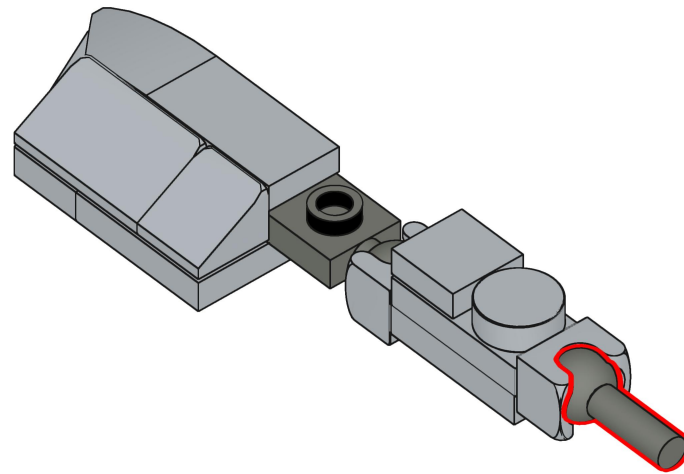
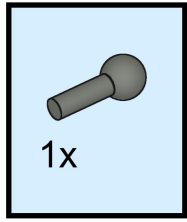
105



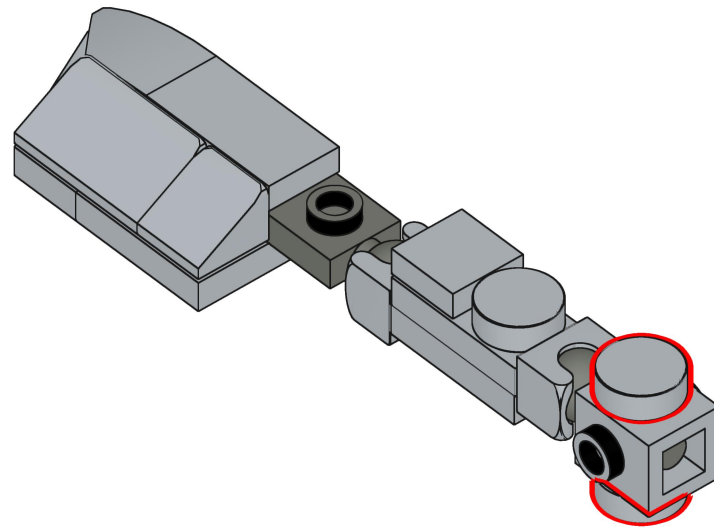
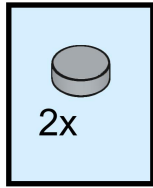
106



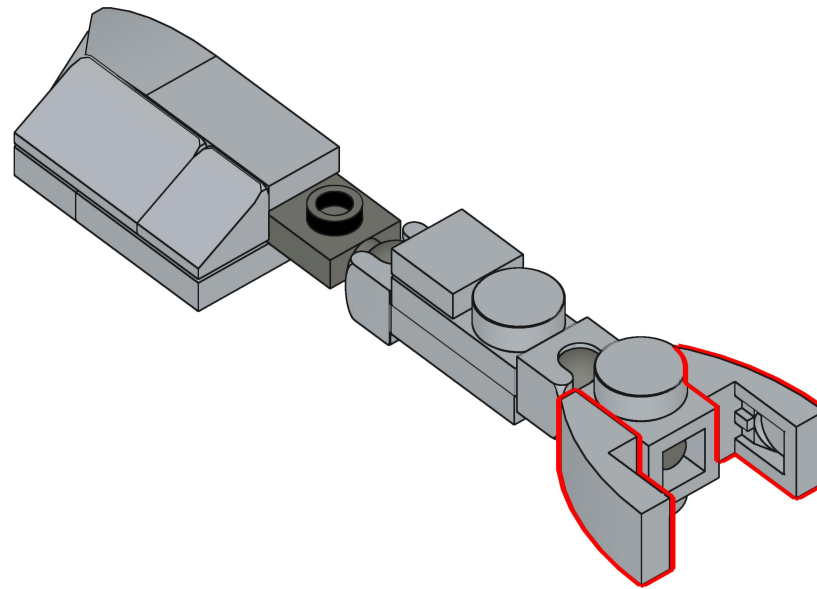
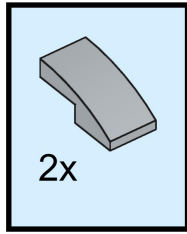
107



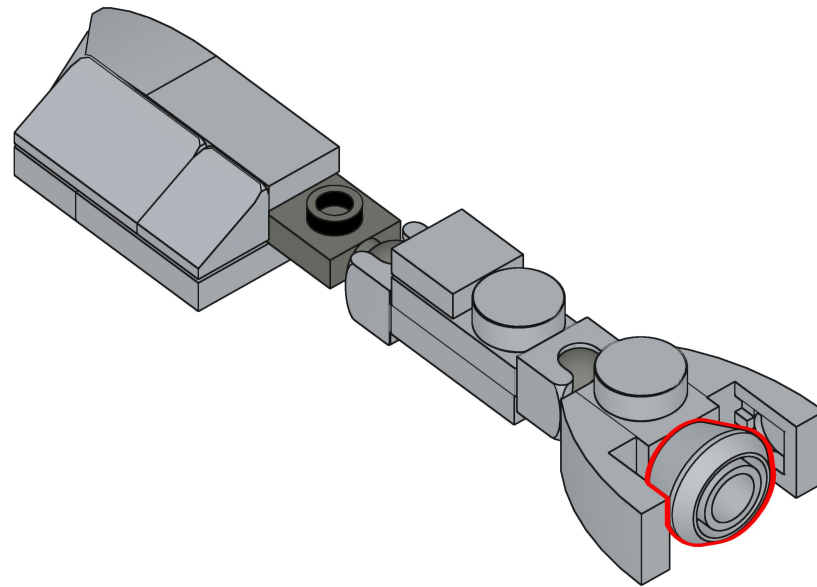
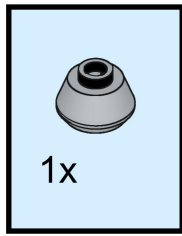
109



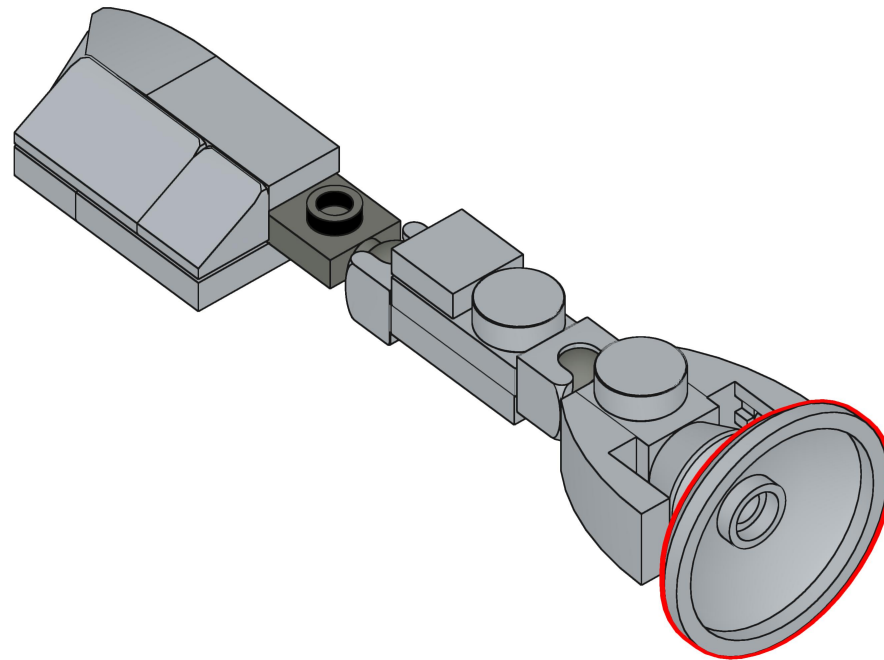
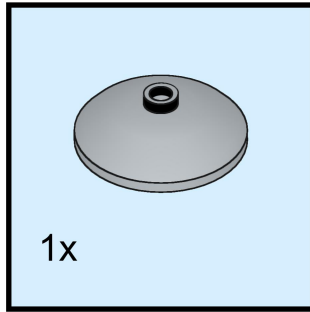
110



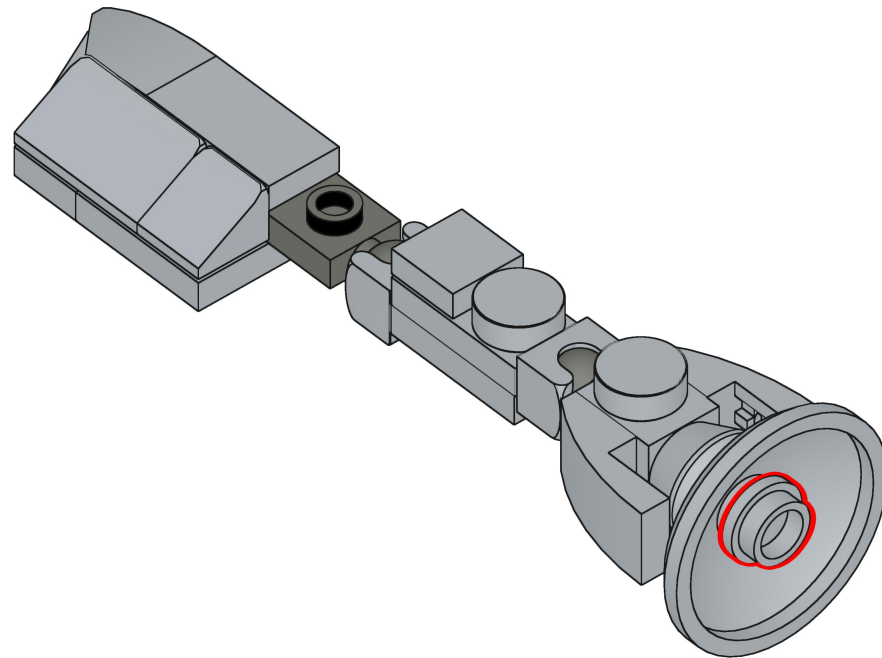
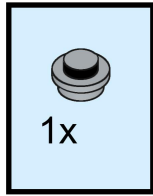
111



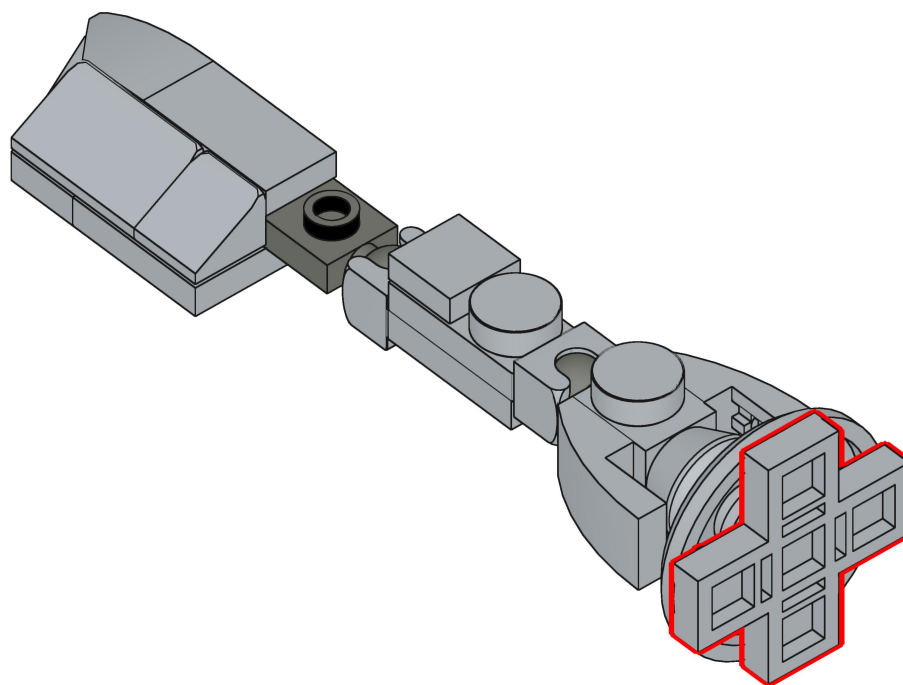
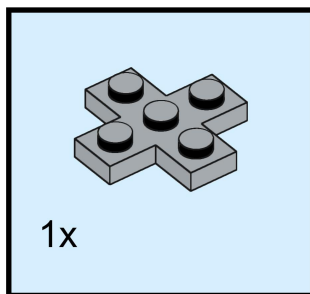
112



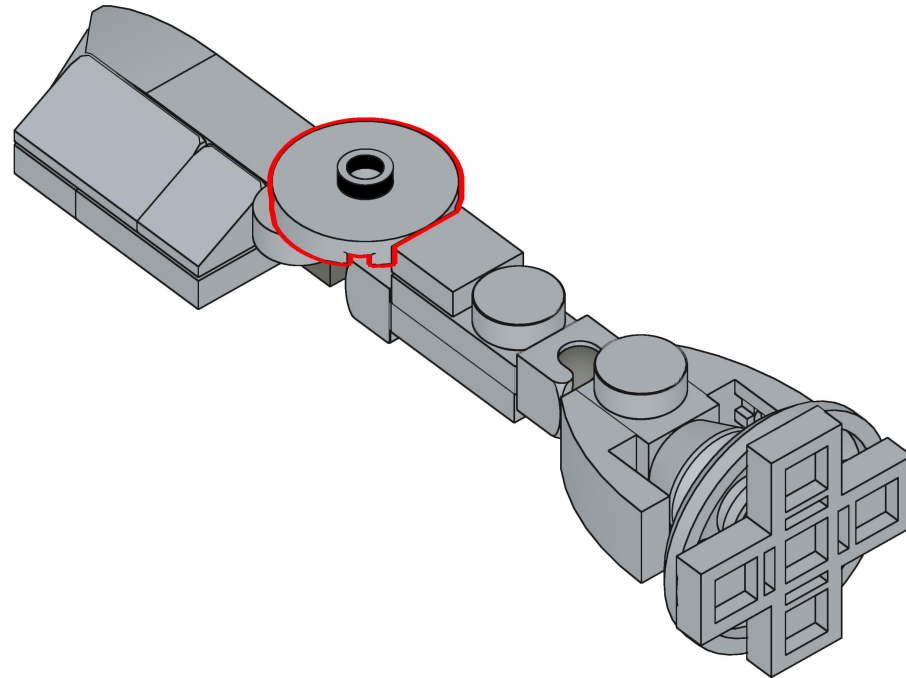
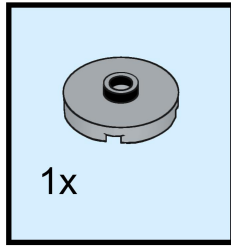
113



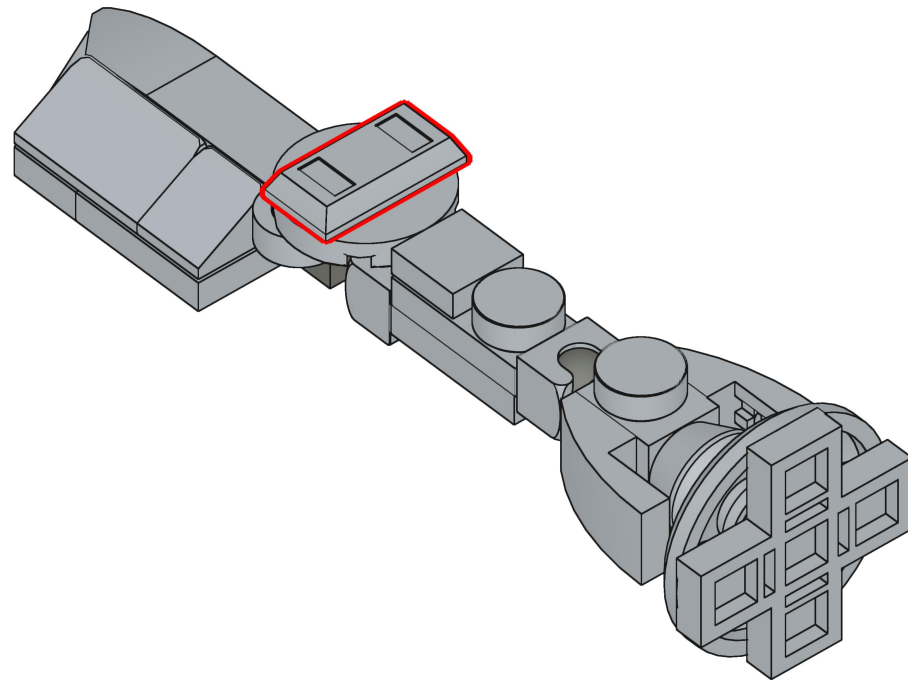
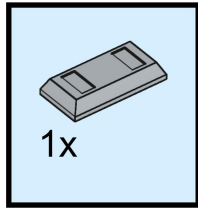
114



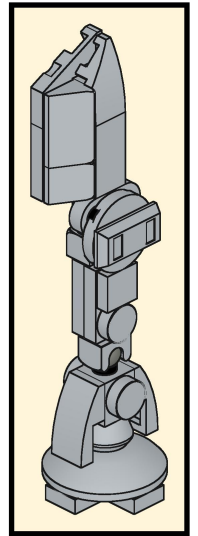
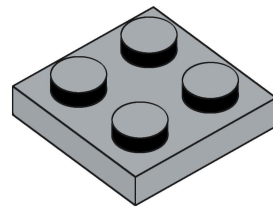
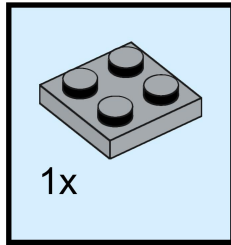
116



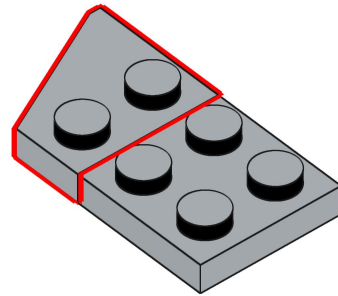
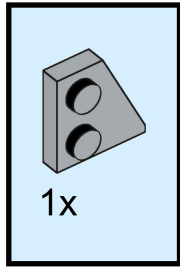
117



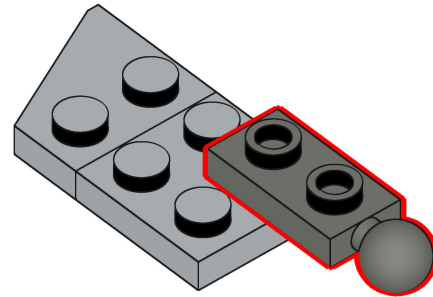
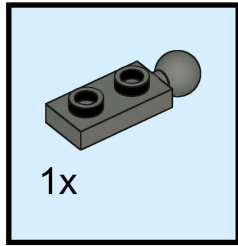
118



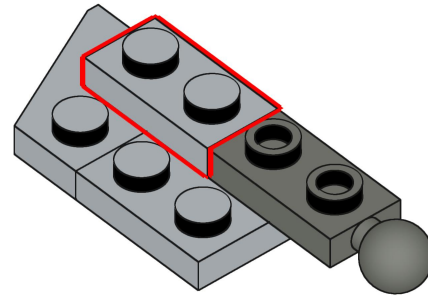
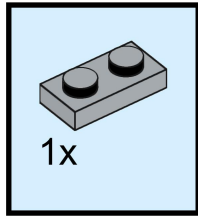
119



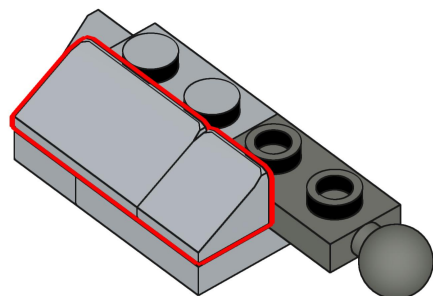
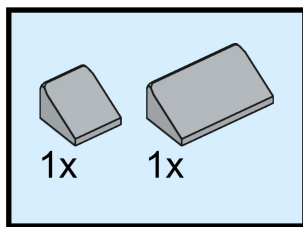
120



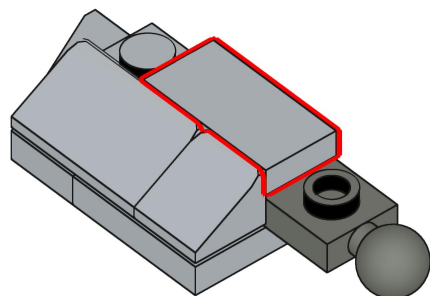
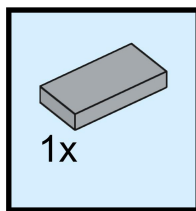
121



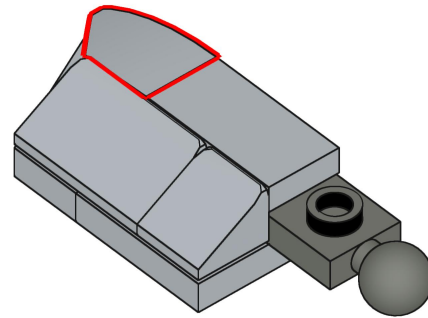
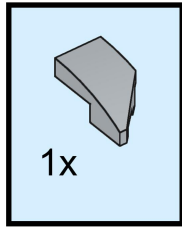
122



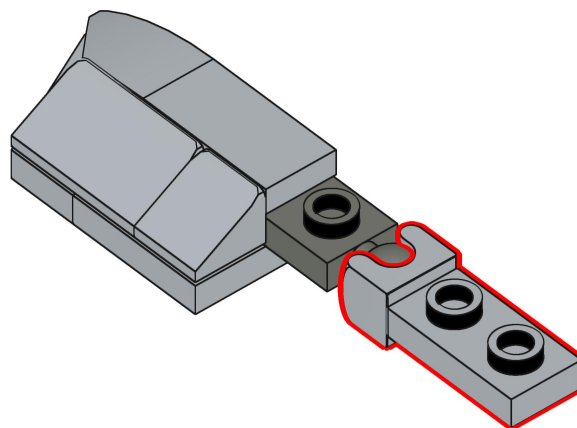
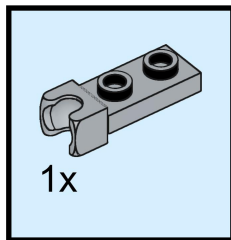
123



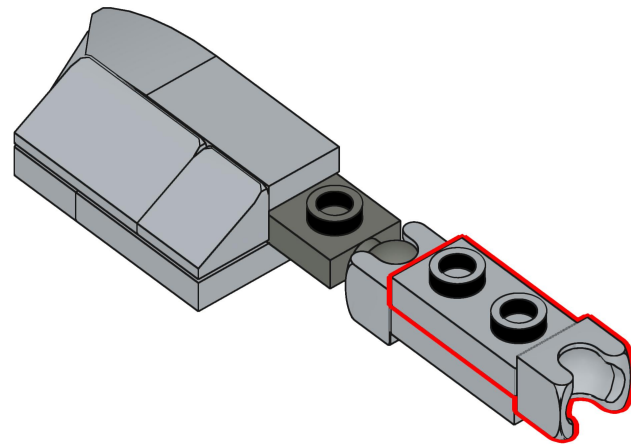
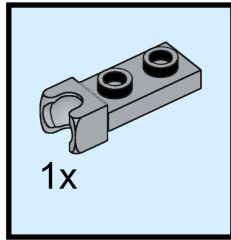
124



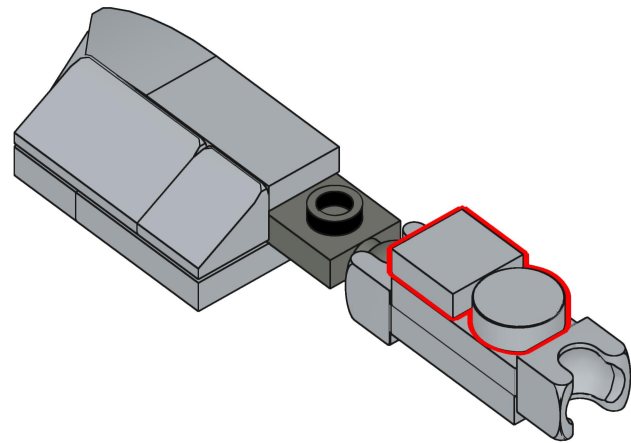
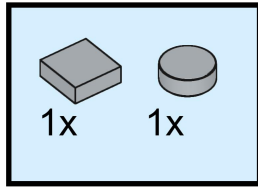
125



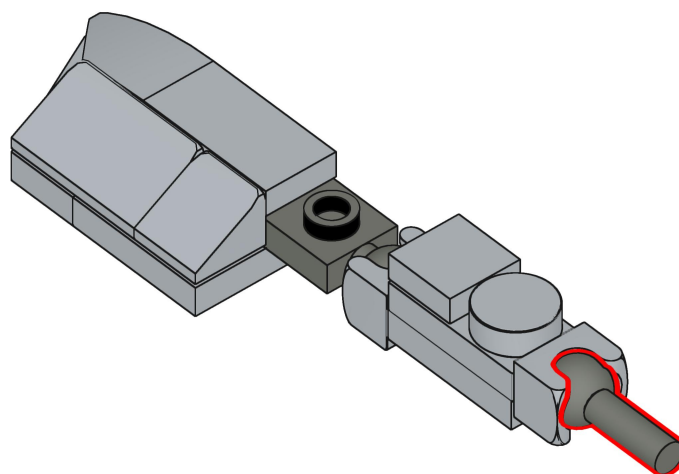
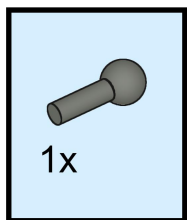
126



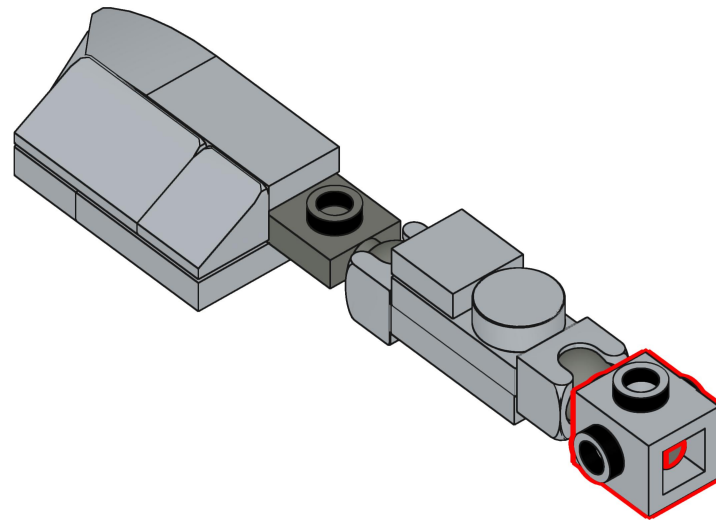
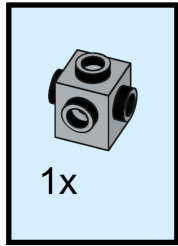
127



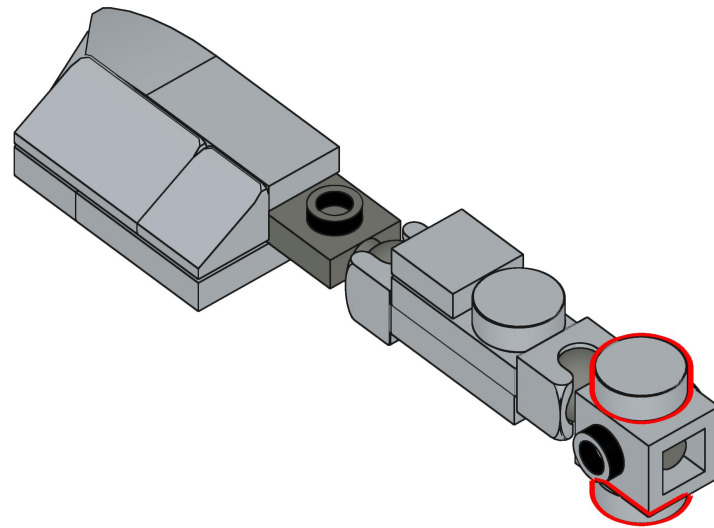
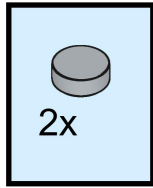
128



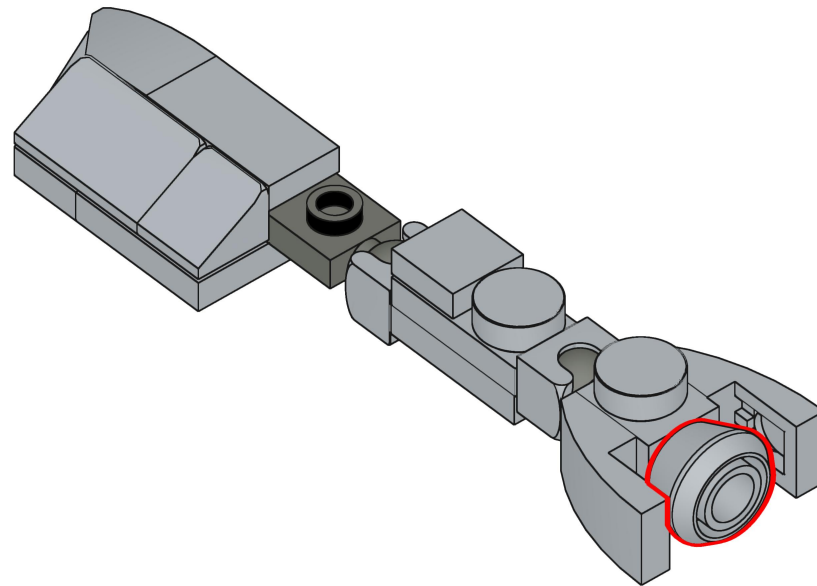
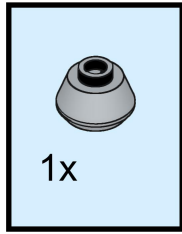
129



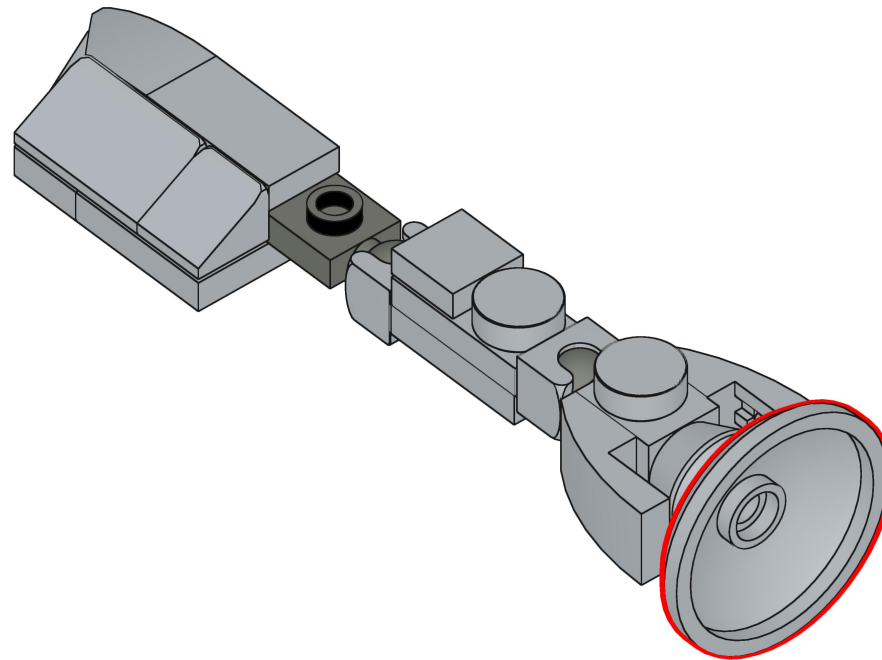
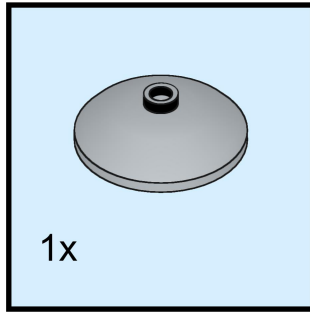
130



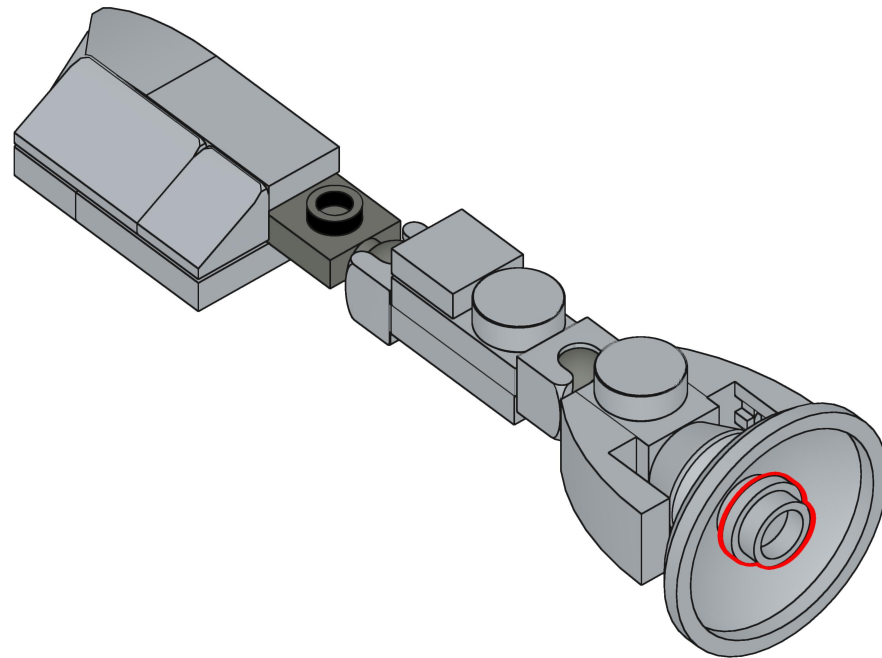
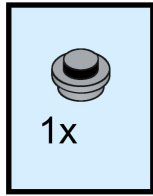
132



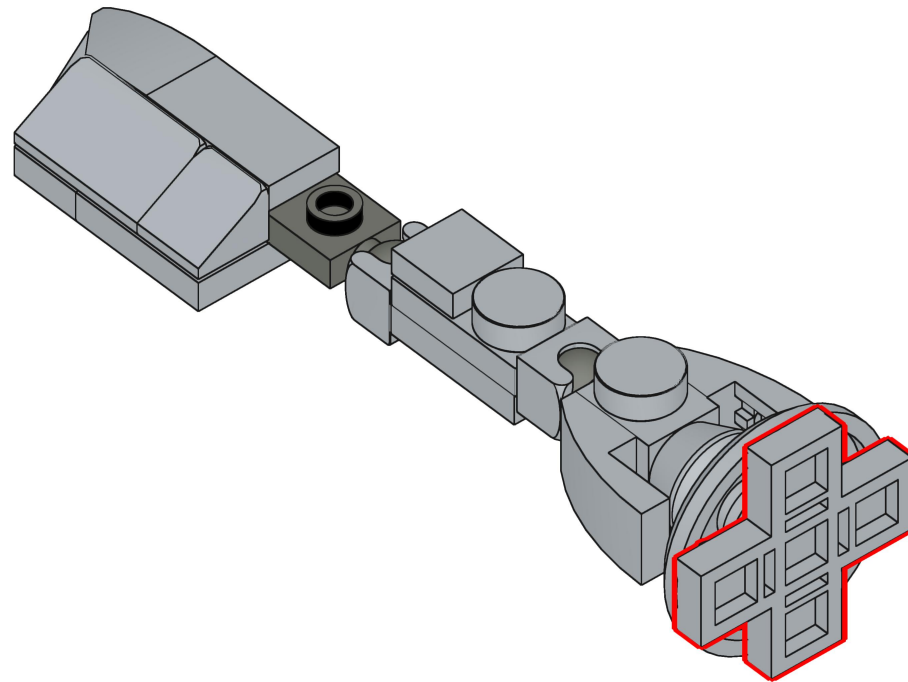
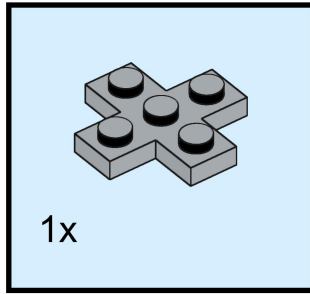
133



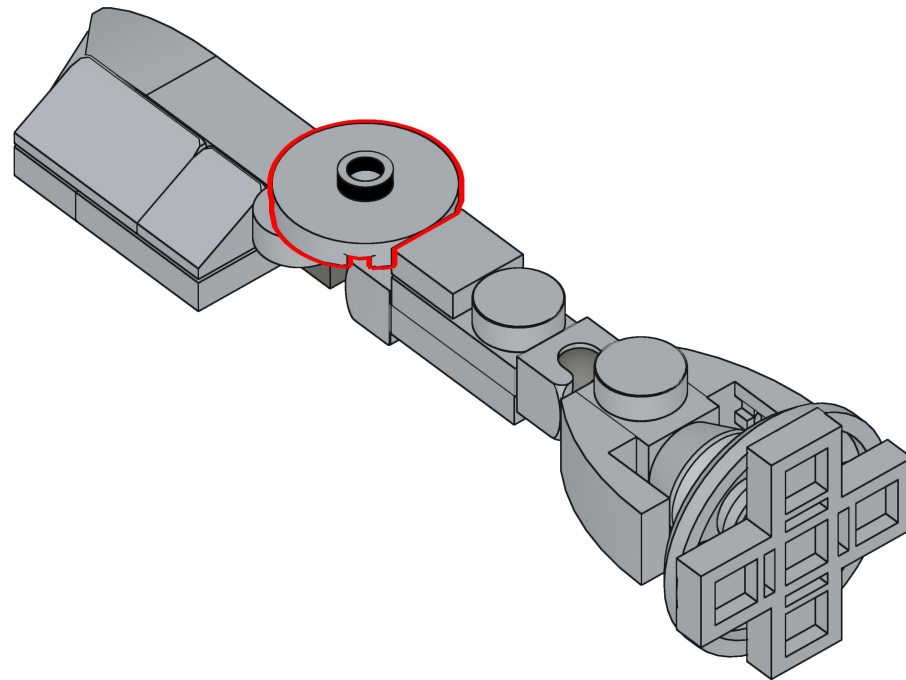
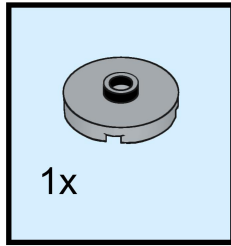
134



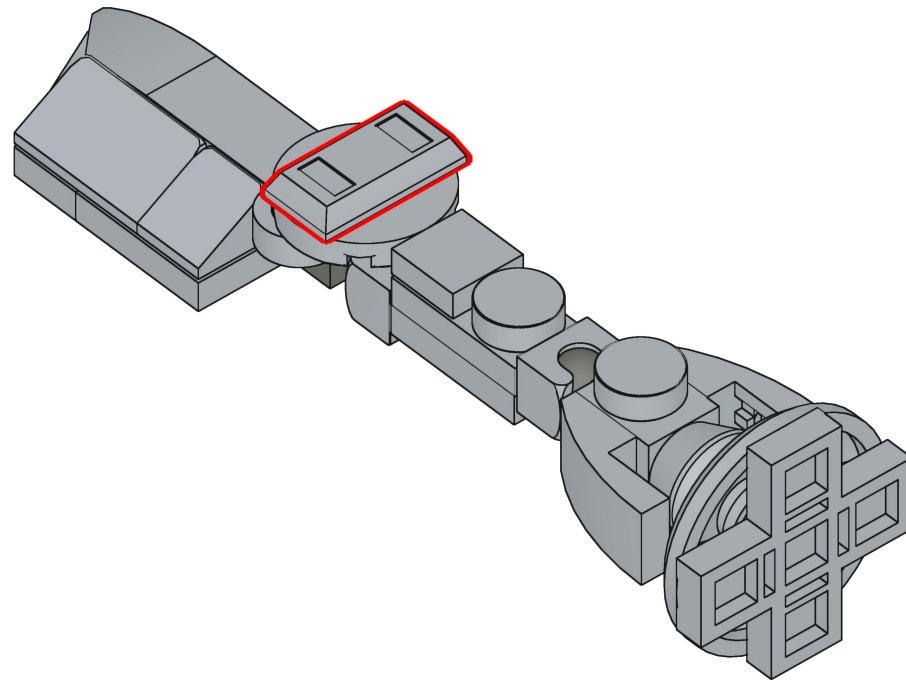
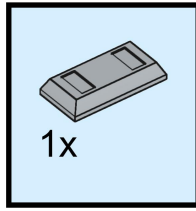
135



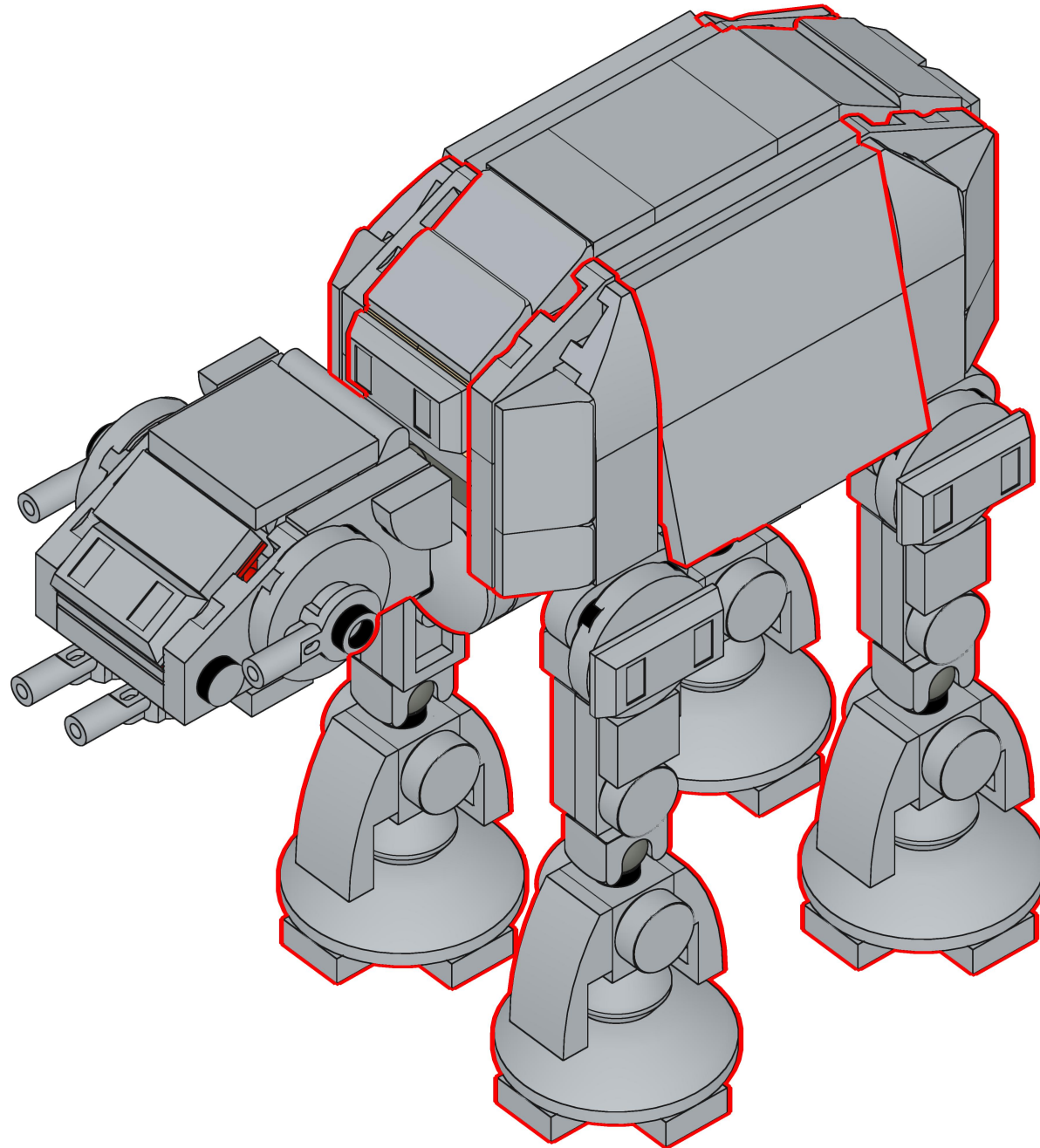
137



138

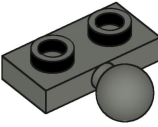


139

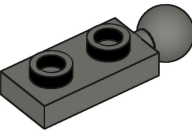




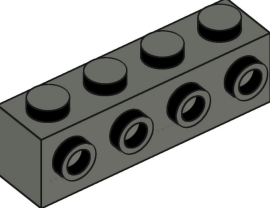
4x
22484, 85



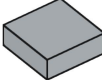
1x
14417, 85




4x
22890, 85




2x
30414, 85




4x
3070b, 86



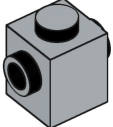
12x
98138, 86




4x
33492, 86



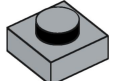
2x
25269, 86




1x
47905, 86



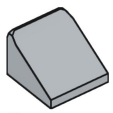
6x
4073, 86



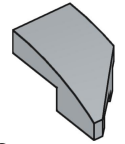
2x
3024, 86



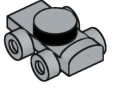
2x
29119, 86



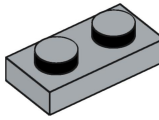
8x
54200, 86



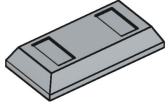
2x
29120, 86




1x
11253, 86




10x
3023, 86



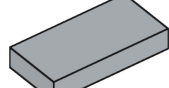
8x
99563, 86



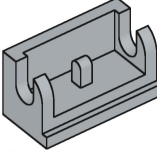
4x
32828, 86



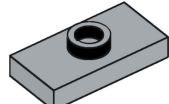
4x
4733, 86




7x
3069b, 86



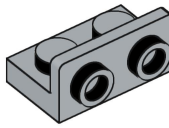
5x
3937, 86




3x
3794b, 86



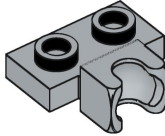
2x
99780, 86



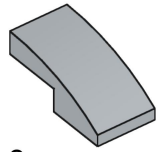
2x
14704, 86



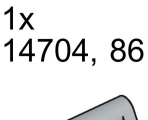
9x
35480, 86



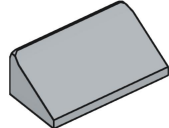
1x
14704, 86



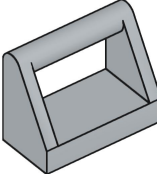
8x
11477, 86



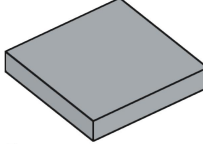
1x
2432, 86



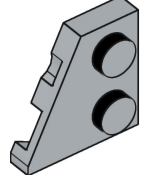
9x
85984, 86



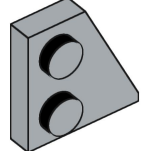
1x
2432, 86



2x
3068b, 86



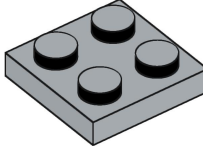
3x
24299, 86



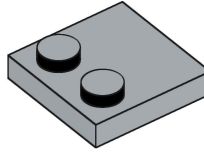
3x
24307, 86



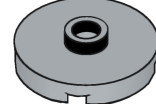
2x
4740, 86



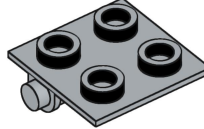
4x
3022, 86



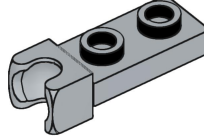
2x
33909, 86



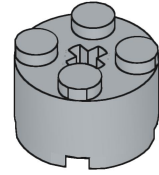
8x
18674, 86



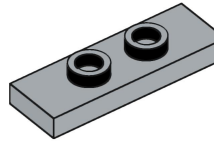
4x
6134, 86



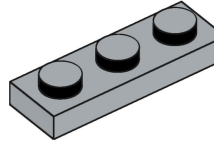
8x
14418, 86



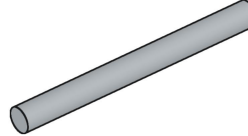
2x
3941, 86



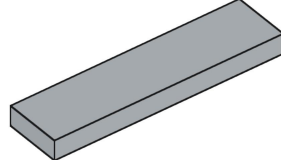
1x
34103, 86



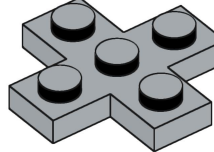
2x
3623, 86



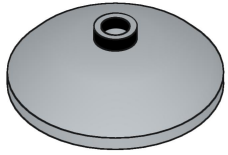
2x
30374, 86



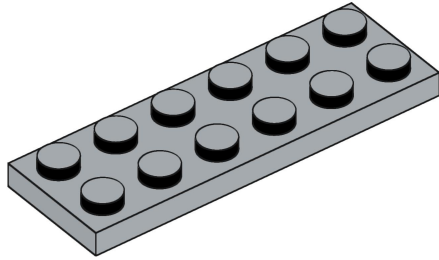
1x
2431, 86



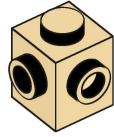
4x
15397, 86



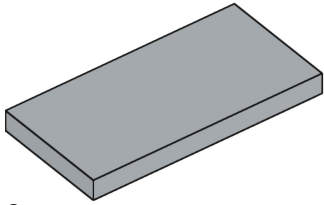
4x
43898, 86



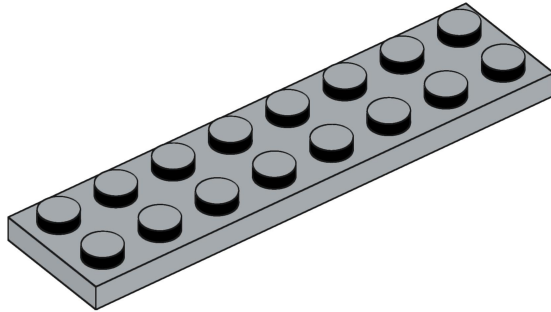
1x
3795, 86



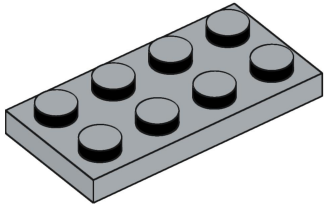
4x
26604, 2



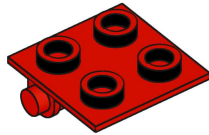
6x
87079, 86



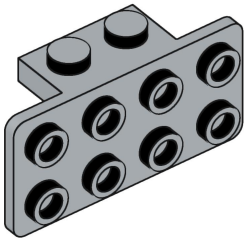
1x
3034, 86



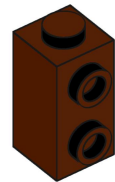
4x
3020, 86



1x
6134, 5



2x
93274, 86



4x
32952, 88